



**DEPARTMENT OF REGULATORY AND ECONOMIC RESOURCES (RER)
BOARD AND CODE ADMINISTRATION DIVISION
NOTICE OF ACCEPTANCE (NOA)**

**MIAMI-DADE COUNTY
PRODUCT CONTROL SECTION**
11805 SW 26 Street, Room 208
Miami, Florida 33175-2474
T (786) 315-2590 F (786) 315-2599
www.miamidade.gov/economy

**DAB Door Company, Inc.
12195 NW 98th Avenue
Hialeah Gardens, FL 33018**

SCOPE:

This NOA is being issued under the applicable rules and regulations governing the use of construction materials. The documentation submitted has been reviewed and accepted by Miami-Dade County RER-Product Control Section to be used in Miami-Dade County and other areas where allowed by the Authority Having Jurisdiction (AHJ).

This NOA shall not be valid after the expiration date stated below. The Miami-Dade County Product Control Section (In Miami-Dade County) and/or the AHJ (in areas other than Miami-Dade County) reserve the right to have this product or material tested for quality assurance purposes. If this product or material fails to perform in the accepted manner, the manufacturer will incur the expense of such testing and the AHJ may immediately revoke, modify, or suspend the use of such product or material within their jurisdiction. RER reserves the right to revoke this acceptance, if it is determined by Miami-Dade County Product Control Section that this product or material fails to meet the requirements of the applicable building code.

This product is approved as described herein and has been designed to comply with the Florida Building Code, including the High Velocity Hurricane Zone.

DESCRIPTION: Steel Roll-up Door up to 14ft.-0in. Wide

APPROVAL DOCUMENT: Drawing No. **97-30**, titled “Rolling Type Garage Door”, sheets 1 and 2 of 2, dated 07/30/1997, with revision **K** dated 07/27/2020, prepared by Al-Farooq Corporation, signed and sealed by Jalal Farooq, P.E., bearing the Miami-Dade County Product Control revision stamp with the Notice of Acceptance number and expiration date by the Miami-Dade County Product Control Section.

MISSILE IMPACT RATING: Large and Small Missile Impact Resistant

LABELING: A permanent label with the manufacturer’s name or logo, manufacturing address, model number, the positive and negative design pressure rating, indicate impact rated if applicable, installation instruction drawing reference number, approval number (NOA), the applicable test standards, and the statement reading ‘Miami-Dade County Product Control Approved’ is to be located on the door’s side track, bottom angle, or inner surface of a panel.

LIMITATION: This door has not been tested for air infiltration.

RENEWAL of this NOA shall be considered after a renewal application has been filed and there has been no change in the applicable building code negatively affecting the performance of this product.

TERMINATION of this NOA will occur after the expiration date or if there has been a revision or change in the materials, use, and/or manufacture of the product or process. Misuse of this NOA as an endorsement of any product, for sales, advertising or any other purposes shall automatically terminate this NOA. Failure to comply with any section of this NOA shall be cause for termination and removal of NOA.

ADVERTISEMENT: The NOA number preceded by the words Miami-Dade County, Florida, and followed by the expiration date may be displayed in advertising literature. If any portion of the NOA is displayed, then it shall be done in its entirety.

INSPECTION: A copy of this entire NOA shall be provided to the user by the manufacturer or its distributors and shall be available for inspection at the job site at the request of the Building Official.

This NOA revises **NOA # 19-1105.04** and consists of this page 1 and evidence pages E-1, E-2 and E-3, as well as approval document mentioned above.

The submitted documentation was reviewed by **Carlos M. Utrera, P.E.**



**NOA-No. 20-0901.22
Expiration Date: January 22, 2025
Approval Date: December 03, 2020**

NOTICE OF ACCEPTANCE: EVIDENCE SUBMITTED

1. Evidence submitted under previous NOA's

A. DRAWINGS “Submitted under NOA # 14-1014.14”

1. Drawing No. **97-30**, titled “Rolling Type Garage Door”, sheets 1 and 2 of 2, dated 07/30/1997, with revision I dated 08/08/2014, prepared by Al-Farooq Corporation, signed and sealed by Javad Ahmad, P.E.

B. TESTS “Submitted under NOA # 09-1210.03”

1. Test reports on 1) Uniform Static Air Pressure Test, Loading per FBC, TAS 202-94
2) Forced Entry Test, per SFBC 3603.2,
Along with marked-up drawings and installation diagram of a Roll-up Garage Door, prepared by Hurricane Engineering & Testing, Inc., Test Report No. **HETI-09-2637**, dated 11/09/2009, signed and sealed by Candido F. Font, P.E.
2. Test reports on 1) Large Missile Impact Test per FBC, TAS 201-94
2) Cyclic Wind Pressure Loading per FBC, TAS 203-94
3) Forced Entry Test, per SFBC 3603.2,
Along with marked-up drawings and installation diagram of a Roll-up Garage Door, prepared by Hurricane Engineering & Testing, Inc., Test Report No. **HETI-09-2638**, dated 11/09/2009, signed and sealed by Candido F. Font, P.E.
3. Test report on Tensile Test of 20 Gage Galvanized Steel per ASTM E 8-01
Along with marked-up drawings and installation diagram of a Roll-up Garage Door, prepared by Hurricane Engineering & Testing, Inc, Test Report No. **HETI-09-T140**, dated on 11/09/2009, signed and sealed by Candido F. Font, P.E.

C. CALCULATIONS “Submitted under NOA # 14-1014.14”

1. Structural and anchor calculations prepared by Al-Farooq Corporation, dated 08/07/2014, signed and sealed by Javad Ahmad, P.E.
“Submitted under NOA # 08-1106.06”
2. Calculations of 14' Rolling Steel Door, prepared by Al-Farooq Corporation, dated 10/17/2008, signed and sealed by Humayoun Farooq, P.E.

D. QUALITY ASSURANCE

1. Miami-Dade Department of Regulatory and Economic Resources (RER)

E. MATERIAL CERTIFICATIONS

1. None.

F. STATEMENTS “Submitted under NOA # 14-1014.14”

1. Statement letter of code conformance to the 5th edition (2014) FBC and no financial interest issued by Al-Farooq Corporation, dated 08/07/2014, signed and sealed by Javad Ahmad, P.E.
“Submitted under NOA # 12-0110.10”
2. Statement letter of code conformance to 2010 FBC and no financial interest, prepared by Al-Farooq Corporation, dated 10/27/2011, signed and sealed by Javad Ahmad, P.E.



Carlos M. Utrera, P.E.
Product Control Examiner
NOA-No. 20-0901.22

Expiration Date: January 22, 2025
Approval Date: December 03, 2020

NOTICE OF ACCEPTANCE: EVIDENCE SUBMITTED

2. EVIDENCE SUBMITTED IN PREVIOUS NOA # 19-1105.04

A. DRAWINGS

1. Drawing No. **97-30**, titled “Rolling Type Garage Door”, sheets 1 and 2 of 2, dated 07/30/1997, with revision **J** dated 10/31/2017, prepared by Al-Farooq Corporation, signed and sealed by Javad Ahmad, P.E.

B. TESTS

1. None.

C. CALCULATIONS

1. None.

D. QUALITY ASSURANCE

1. Miami-Dade Department of Regulatory and Economic Resources (RER)

E. MATERIAL CERTIFICATIONS

1. None.

F. STATEMENTS

1. Statement letter of code conformance to the 6th Edition (2017) FBC issued by Al-Farooq Corporation, dated 10/31/2019, signed and sealed by Javad Ahmad, P.E.
2. Statement letter of code conformance to the 5th Edition (2014) and to the 6th Edition (2017) FBC and of no financial interest issued by Al-Farooq Corporation, dated 10/27/2017, signed and sealed by Javad Ahmad, P.E.



Carlos M. Utrera, P.E.
Product Control Examiner
NOA-No. 20-0901.22
Expiration Date: January 22, 2025
Approval Date: December 03, 2020

NOTICE OF ACCEPTANCE: EVIDENCE SUBMITTED

3. NEW EVIDENCE SUBMITTED.

A. DRAWINGS

1. Drawing No. **97-30**, titled “Rolling Type Garage Door”, sheets 1 and 2 of 2, dated 07/30/1997, with revision **K** dated 07/27/2020, prepared by Al-Farooq Corporation, signed and sealed by Jalal Farooq, P.E.

B. TESTS

1. None.

C. CALCULATIONS

1. None.

D. QUALITY ASSURANCE

1. Miami Dade Department of Regulatory and Economic Resources (RER).

E. MATERIAL CERTIFICATIONS

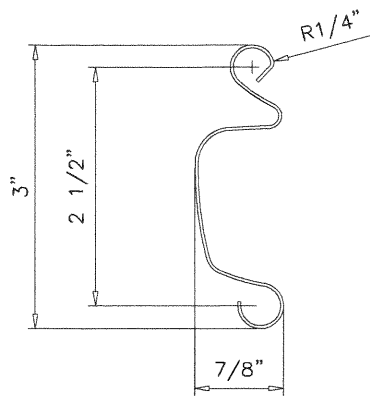
1. None.

F. STATEMENTS

1. Letter of conformance to FBC 2020 (7th Edition) and FBC 2017 (6th Edition), prepared by Al Farooq Corporation, dated 07/31/2020, signed and sealed by Jalal Farooq, P.E.

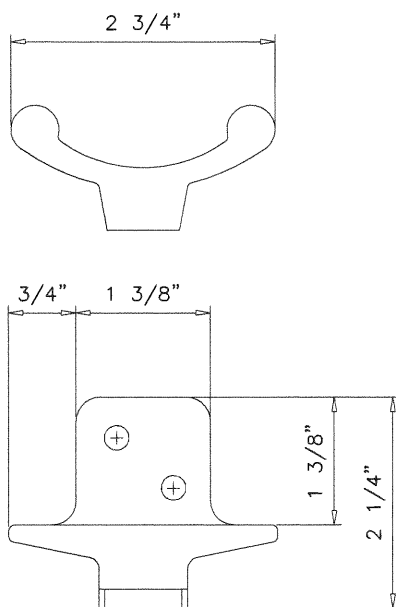


Carlos M. Utrera, P.E.
Product Control Examiner
NOA-No. 20-0901.22
Expiration Date: January 22, 2025
Approval Date: December 03, 2020



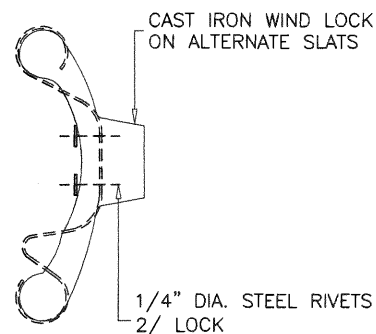
SLAT

20 GA. COLD FORMED STEEL (ASTM A446)
MIN. YIELD STRENGTH OF 50000 PSI
GALVANIZED ACCORDING TO ASTM A-525
WITH A COATING DESIGNATION OF G-90
EXTERIOR AND INTERIOR

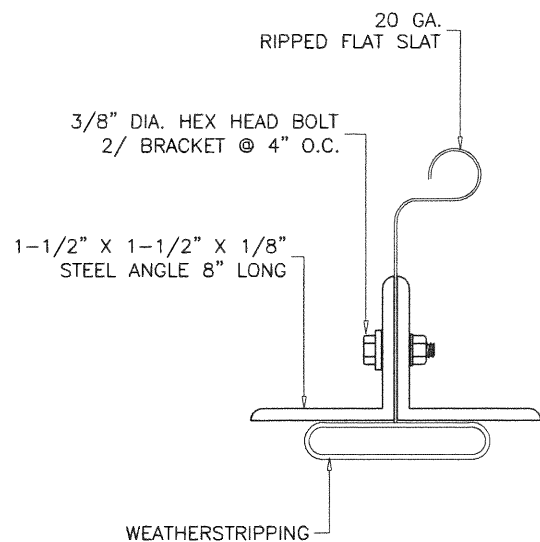


WIND LOCK

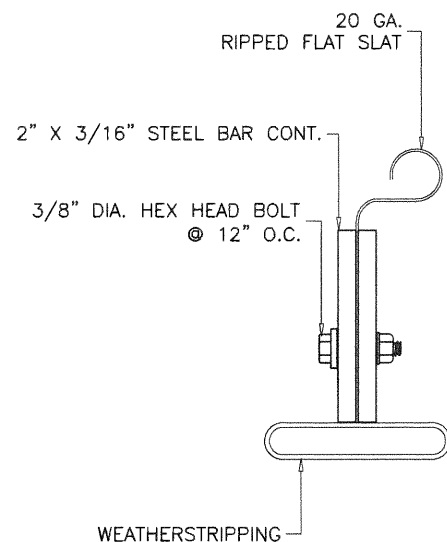
MALLEABLE IRON
WITH A GALVANIZED FINISH



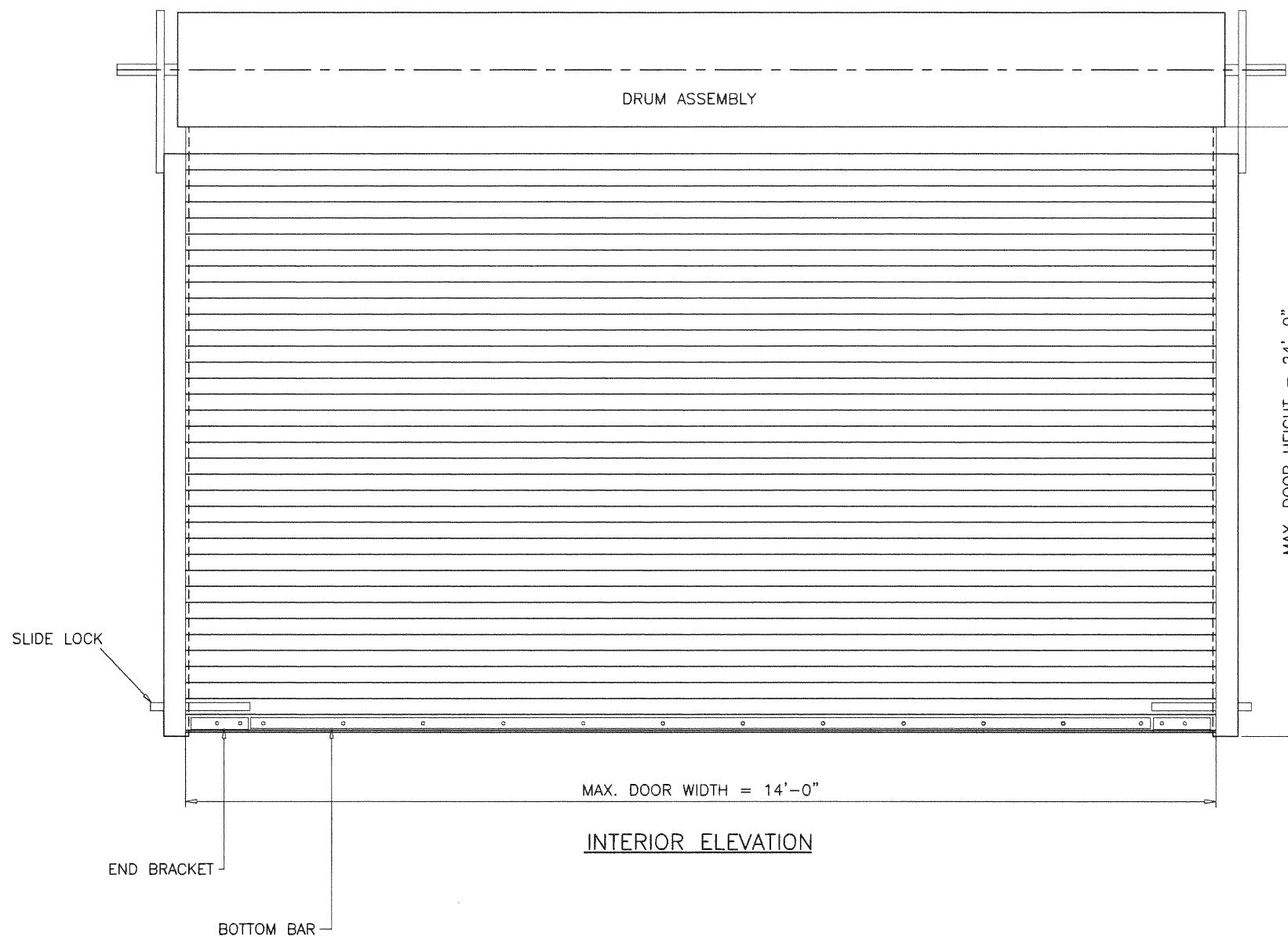
WIND LOCK DETAIL



END BRACKET DETAIL



BOTTOM BAR DETAIL



INTERIOR ELEVATION

GENERAL NOTES

1. THIS PRODUCT HAS BEEN DESIGNED AND TESTED TO COMPLY WITH THE REQUIREMENTS OF THE 2017 (6TH EDITION)/2020 (7TH EDITION) FLORIDA BUILDING CODE INCLUDING HIGH VELOCITY HURRICANE ZONE (HVHZ).
2. ANCHORS SHALL BE AS LISTED, SPACED AS SHOWN ON DETAILS. ANCHOR EMBEDMENT TO BASE MATERIAL SHALL BE BEYOND WALL DRESSING OR STUCCO.
3. GUIDE AND WALL ANGLES SHALL CONFORM TO ASTM A-36.
4. ALL BOLTS, NUTS AND WASHERS SHALL BE ZINC PLATED CARBON STEEL.
5. ANCHORING OR LOADING CONDITIONS OTHER THAN THOSE SHOWN IN THESE DETAILS ARE NOT PART OF THIS APPROVAL.
6. SLIDE BOLT (1/4" THICK LATCH) IS INSTALLED AT EACH END BOTTOM, AND SHALL BE ENGAGED DURING HURRICANE WINDS.
7. ALL WELDING TO CONFORM TO AWS LATEST REGULATIONS AND F.B.C. USE E70XX ELECTRODES AND 3/16" FILLET SIZE.

DOOR TESTED IN ACCORDANCE WITH THE REQUIREMENTS OF FLORIDA BUILDING CODE, TAS-202, TAS-201 & TAS-203 FOR HVHZ.

MAXIMUM DESIGN LOAD RATING = + 60.0 PSF
(FOR SIZES SHOWN OR SMALLER) - 60.0 PSF

THIS PRODUCT IS RATED FOR LARGE MISSILE IMPACT

PRODUCT REVISED
as complying with the Florida
Building Code
NOA-No. 20-0901.22

Expiration Date 01/22/2025

By *[Signature]*
Miami-Dade Product Control



8/27/2020

af c
AL-FAROOQ CORPORATION
ENGINEERS & PRODUCT DEVELOPMENT
9360 SUNSET DRIVE, SUITE 220
MIAMI, FLORIDA 33173 (C.A.N. 3538)
TEL. (305) 264-8100 FAX. (305) 262-6978
GARAGE\97-30DAB

ROLLING TYPE GARAGE DOOR
DAB Door Company, Inc.
12195 N.W. 98th Ave.
Hialeah Gardens, Fl. 33018
Tel: (800) 257-2016 Fax: (305) 362-9272

no	date	description
G	10.29.08	UPDATED FOR 2007 FBC
H	10.13.11	UPDATED TO 2010 FBC
I	08.08.14	UPDATED TO 2014 FBC
J	10.31.17	UPDATED TO 2017 FBC
K	07.20.20	UPDATED TO 2020 FBC

date: 07-30-97
scale: 1/2" = 1'-0"
dr. by: TARIQ
chk. by:

drawing no.
97-30

sheet 1 of 2

MAXIMUM DOOR WIDTH	BOLT SPACING-INCHES	
	UPTO 50 PSF	UPTO 60 PSF
10 FT.	12	12
12 FT.	12	11
14 FT.	12	9

MAXIMUM DOOR WIDTH	ANCHOR SPACING-INCHES		
	UPTO 40 PSF	UPTO 50 PSF	UPTO 60 PSF
10 FT.	12	12	8
12 FT.	12	7	5
14 FT.	8-1/2	5-1/2	4

MAXIMUM DOOR WIDTH	WELD LENGTH INCHES
8-10 FT.	1"
12 FT.	1"
14 FT.	1-1/4"

MAXIMUM DOOR WIDTH	SLIP INCHES
8-10 FT.	1/4"
12 FT.	3/8"
14 FT.	5/8"

1/2" DIA. KWIK BOLT II
2-1/4" MIN. EMBED.
4" MIN. EDGE DIST.
IN 3000 PSI CONC.

4" TYP.
EDGE DIST.

1-1/2" TYP.

(4) 1/2" X 1-1/2" HH BOLTS
2" O.C. AT TOP OF TRACK
ADDITIONAL

3/8" X 1-1/2" HEX HEAD BOLT
@ 12" O.C. TYP.
ALTERNATE
3/16" X 2" WELDS AT 12" O.C.

**'Z' GUIDE DETAIL
CONC. WALL**

1/2" DIA. MACHINE BOLTS
TAPPED IN 1/4" MIN. STEEL

WELD OPTION:
GUIDE ANGLE SECURED TO
MIN. 1/4" THICK STEEL STRUCTURE
WITH 3/16" WELD @ 12" O.C.

EXISTING STEEL

CAST IRON WIND LOCKS
ON ALTERNATE SLATS

1" X 1/2" WINDLOCK BAR

3/16" WELD 2" LONG
@ 12" O.C. BOTH SIDES

2" X 3" X 3/16"
STEEL ANGLE

DOORS IMPACTED
ON OUTSIDE ONLY

WIND LOCKS ATTACHED WITH
(2) 1/4" DIA. STEEL RIVETS

SLIP TYP.
SEE SCHEDULE 'A'

3/8" X 1-1/2" HEX HEAD BOLT
@ 12" O.C. TYP. AND FOUR ADDL.
1/2" X 1-1/2" H.H. BOLTS
@ 2" O.C. AT TOP OF TRACK

3-1/2" X 3-1/2" X 1/4"
STEEL ANGLE

**'E' GUIDE DETAIL
STEEL STRUCTURE**

GUIDE DETAILS CAN BE USED
IN ANY COMBINATIONS.

SUPPORTING STRUCTURE MUST BE DESIGNED TO SUPPORT
SHEAR & TENSION FORCES AT EACH JAMB.
FOR DESIGN VALUES OF SHEAR & TENSION SEE SCHEDULE.
ARCH./ENGR. TO VERIFY ADEQUACY OF SUPPORTING STRUCTURE.

FORCES ON GUIDE/FT.		
MAXIMUM DOOR WIDTH	60 PSF TENSION	744 SHEAR
10 FT.	320	744
12 FT.	380	1254
14 FT.	440	1419

WELD OPTION
SAME AS 'E' GUIDE

CAST IRON WIND LOCKS
ON ALTERNATE SLATS

1" X 1/2" WINDLOCK BAR

3/16" WELD 2" LONG
@ 12" O.C. BOTH SIDES

2" X 3" X 3/16"
STEEL ANGLE

ANCHOR
SAME AS 'E' GUIDE

(4) 1/2" X 1-1/2" HH BOLTS
2" O.C. AT TOP OF TRACK
ADDITIONAL

3/8" X 1-1/2" HEX HEAD BOLT
@ 12" O.C. TYP.
ALTERNATE
3/16" X 2" WELDS AT 12" O.C.

**'Z' GUIDE DETAIL
STEEL STRUCTURE**

ANCHOR
SAME AS 'Z' GUIDE

EDGE DISTANCE

4"

2"

2 3/8"

3/8" X 1-1/2" HEX HEAD BOLT
@ 12" O.C. TYP. AND FOUR ADDL.
1/2" X 1-1/2" H.H. BOLTS
@ 2" O.C. AT TOP OF TRACK

**'E' GUIDE DETAIL
CONC. WALL**

PRODUCT REVISED
as complying with the Florida
Building Code
NOA-No. 20-0901.22
Expiration Date 01/22/2025
By *[Signature]*
Miami-Dade Product Control



af c
AL-FAROOQ CORPORATION
ENGINEERS & PRODUCT DEVELOPMENT
9360 SUNSET DRIVE, SUITE 220
MIAMI, FLORIDA 33173 (C.A.N. 3538)
TEL. (305) 264-6100 FAX. (305) 262-6978
GARAGE\97-30DAB

ROLLING TYPE GARAGE DOOR
DAB Door Company, Inc.
12195 N.W. 98th Ave.
Hialeah Gardens, Fl. 33018
Tel: (800) 257-2016 Fax: (305) 362-9272

no	date	description
G	10.29.08	UPDATED FOR 2007 FBC
H	10.13.11	NO CHANGE THIS SHEET
I	08.08.14	NO CHANGE THIS SHEET
J	10.31.17	UPDATED TO 2017 FBC
K	07.20.20	UPDATED TO 2020 FBC

date: 07-30-97
scale: 1/2" = 1"
dr. by: TARIQ
chk. by:

drawing no.
97-30
sheet 2 of 2

8/27/2020