



DEPARTMENT OF REGULATORY AND ECONOMIC RESOURCES (RER)
 BOARD AND CODE ADMINISTRATION DIVISION
NOTICE OF ACCEPTANCE (NOA)

MIAMI-DADE COUNTY
 PRODUCT CONTROL SECTION
 11805 SW 26 Street, Room 208
 Miami, Florida 33175-2474
 T (786) 315-2590 F (786) 315-2599
www.miamidade.gov/economy

DAB Door Company, Inc.
 12195 NW 98th Avenue
 Hialeah Gardens, FL 33018

SCOPE:

This NOA is being issued under the applicable rules and regulations governing the use of construction materials. The documentation submitted has been reviewed and accepted by Miami-Dade County RER-Product Control Section to be used in Miami Dade County and other areas where allowed by the Authority Having Jurisdiction (AHJ). This NOA shall not be valid after the expiration date stated below. The Miami-Dade County Product Control Section (In Miami Dade County) and/or the AHJ (in areas other than Miami Dade County) reserve the right to have this product or material tested for quality assurance purposes. If this product or material fails to perform in the accepted manner, the manufacturer will incur the expense of such testing and the AHJ may immediately revoke, modify, or suspend the use of such product or material within their jurisdiction. RER reserves the right to revoke this acceptance, if it is determined by Miami-Dade County Product Control Section that this product or material fails to meet the requirements of the applicable building code. This product is approved as described herein, and has been designed to comply with the Florida Building Code, including the High Velocity Hurricane Zone.

DESCRIPTION: Steel Roll-up Garage Door up to 22'-0" Wide with Optional Insulated Slats

APPROVAL DOCUMENT: Drawing No. 08-11, titled "Rolling Type Garage Door", sheets 1 through 4 of 4, dated 12/26/2008, with revision B dated 07/29/2014, prepared by Al-Farooq Corporation, signed and sealed by Javad Ahmad, P.E., bearing the Miami-Dade County Product Control renewal stamp with the Notice of Acceptance number and expiration date by the Miami-Dade County Product Control Section.

MISSILE IMPACT RATING: Large and Small Missile Impact Resistant

LABELING: A permanent label with the manufacturer's name or logo, manufacturing address, model number, the positive and negative design pressure rating, indicate impact rated if applicable, installation instruction drawing reference number, approval number (NOA), the applicable test standards, and the statement reading 'Miami-Dade County Product Control Approved' is to be located on the door's side track, bottom angle, or inner surface of a panel.

RENEWAL of this NOA shall be considered after a renewal application has been filed and there has been no change in the applicable building code negatively affecting the performance of this product.

TERMINATION of this NOA will occur after the expiration date or if there has been a revision or change in the materials, use, and/or manufacture of the product or process. Misuse of this NOA as an endorsement of any product, for sales, advertising or any other purposes shall automatically terminate this NOA. Failure to comply with any section of this NOA shall be cause for termination and removal of NOA.

ADVERTISEMENT: The NOA number preceded by the words Miami-Dade County, Florida, and followed by the expiration date may be displayed in advertising literature. If any portion of the NOA is displayed, then it shall be done in its entirety.

INSPECTION: A copy of this entire NOA shall be provided to the user by the manufacturer or its distributors and shall be available for inspection at the job site at the request of the Building Official. This NOA renews NOA # 12-0110.11 and consists of this page 1 and evidence pages E-1 and E-2, as well as approval document mentioned above. The submitted documentation was reviewed by Carlos M. Utrera, P.E.



[Handwritten Signature]
 11/02/2014

NOA No. 14-0814.06
 Expiration Date: November 04, 2019
 Approval Date: October 30, 2014
 Page 1

NOTICE OF ACCEPTANCE: EVIDENCE SUBMITTED

A. DRAWINGS

1. Drawing No. **08-11**, titled "Rolling Type Garage Door", sheets 1 through 4 of 4, dated 12/26/2008, with revision B dated 07/29/2014, prepared by Al-Farooq Corporation, signed and sealed by Javad Ahmad, P.E.

B. TESTS *"Submitted under NOA # 09-0916.01"*

1. Test reports on 1) Uniform Static Air Pressure Test, Loading per FBC, TAS 202-94
2) Forced Entry Test, per SFBC 3603.2,
Along with marked-up drawings and installation diagram of Flat Slat Rolling Doors, prepared by Hurricane Engineering & Testing, Inc., Test Report No. **HETI-08-2221**, dated 12/11/2008, signed and sealed by Candido F. Font, P.E.
2. Test reports on 1) Large Missile Impact Test per FBC, TAS 201-94
2) Cyclic Wind Pressure Loading per FBC, TAS 203-94
Along with marked-up drawings and installation diagram of Flat Slat Rolling Doors, prepared by Hurricane Engineering & Testing, Inc., Test Report No. **HETI-08-2222**, dated 12/11/2008, signed and sealed by Candido F. Font, P.E.
3. Test report on Tensile Test of 22 Gage Galvanized Steel per ASTM E 8-01, prepared by Hurricane Engineering & Testing, Inc, Test Report No. **HETI-08-T176**, dated on 12/16/2008, signed and sealed by Candido F. Font, P.E.

C. CALCULATIONS

1. Structural and anchor calculations prepared by Al-Farooq Corporation, dated 07/28/2014, signed and sealed by Javad Ahmad, P.E.

"Submitted under NOA # 09-0916.01"
2. Calculations of Series 22' Rolling Steel Door, prepared by Al-Farooq Corporation, dated 07/24/2009, signed and sealed by Arshad Viqar, P.E.



10/24/2014

Carlos M. Utrera, P.E.
Product Control Examiner
NOA No. 14-0814.06
Expiration Date: November 04, 2019
Approval Date: October 30, 2014

NOTICE OF ACCEPTANCE: EVIDENCE SUBMITTED

D. QUALITY ASSURANCE

1. Miami-Dade Department of Regulatory and Economic Resources (RER)

E. MATERIAL CERTIFICATIONS

1. Notice of Acceptance No. **14-0311.08**, issued to Insulfoam, LLC, for their Insulfoam Expanded Polystyrene Insulation, approved on 08/14/2014 and expiring on 11/29/2017.
2. Notice of Acceptance No. **11-0926.07**, issued to Dyplast Products, LLC, for their Expanded Polystyrene Block Type Insulation, approved on 11/10/2011 and expiring on 01/11/2017.
3. Notice of Acceptance No. **11-0926.06**, issued to Dyplast Products, LLC, for their Dyplast ISO-C1 Polyisocyanurate Insulation, approved on 11/10/2011 and expiring on 01/11/2017.
4. Notice of Acceptance No. **10-1129.04**, issued to Cellofoam North America Inc, for their Expanded Polystyrene Block Insulation, approved on 02/24/2011 and expiring on 02/24/2016.

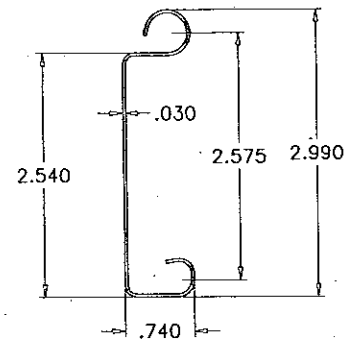
F. STATEMENTS

1. Statement letter of code conformance to the 5th edition (2014) FBC and no financial interest issued by Al-Farooq Corporation, dated 07/25/2014, signed and sealed by Javad Ahmad, P.E.



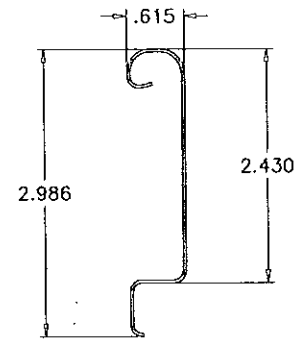
10/24/2014

Carlos M. Utrera, P.E.
Product Control Examiner
NOA No. 14-0814.06
Expiration Date: November 04, 2019
Approval Date: October 30, 2014



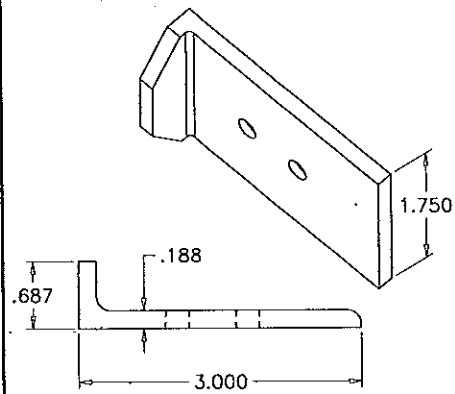
SLAT

22 GA. COLD FORMED STEEL (ASTM A653)
MIN. YIELD STRENGTH OF 50000 PSI
CALVANIZED ACCORDING TO ASTM A-525
WITH A COATING DESIGNATION OF G-90
EXTERIOR AND INTERIOR



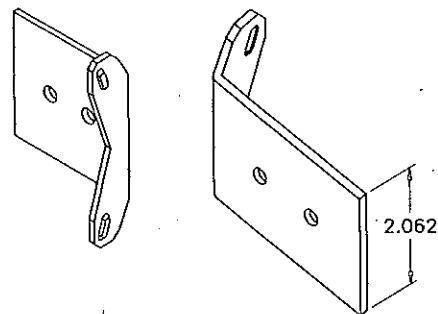
INSULATED SLAT COVER

24 GA. COLD FORMED STEEL



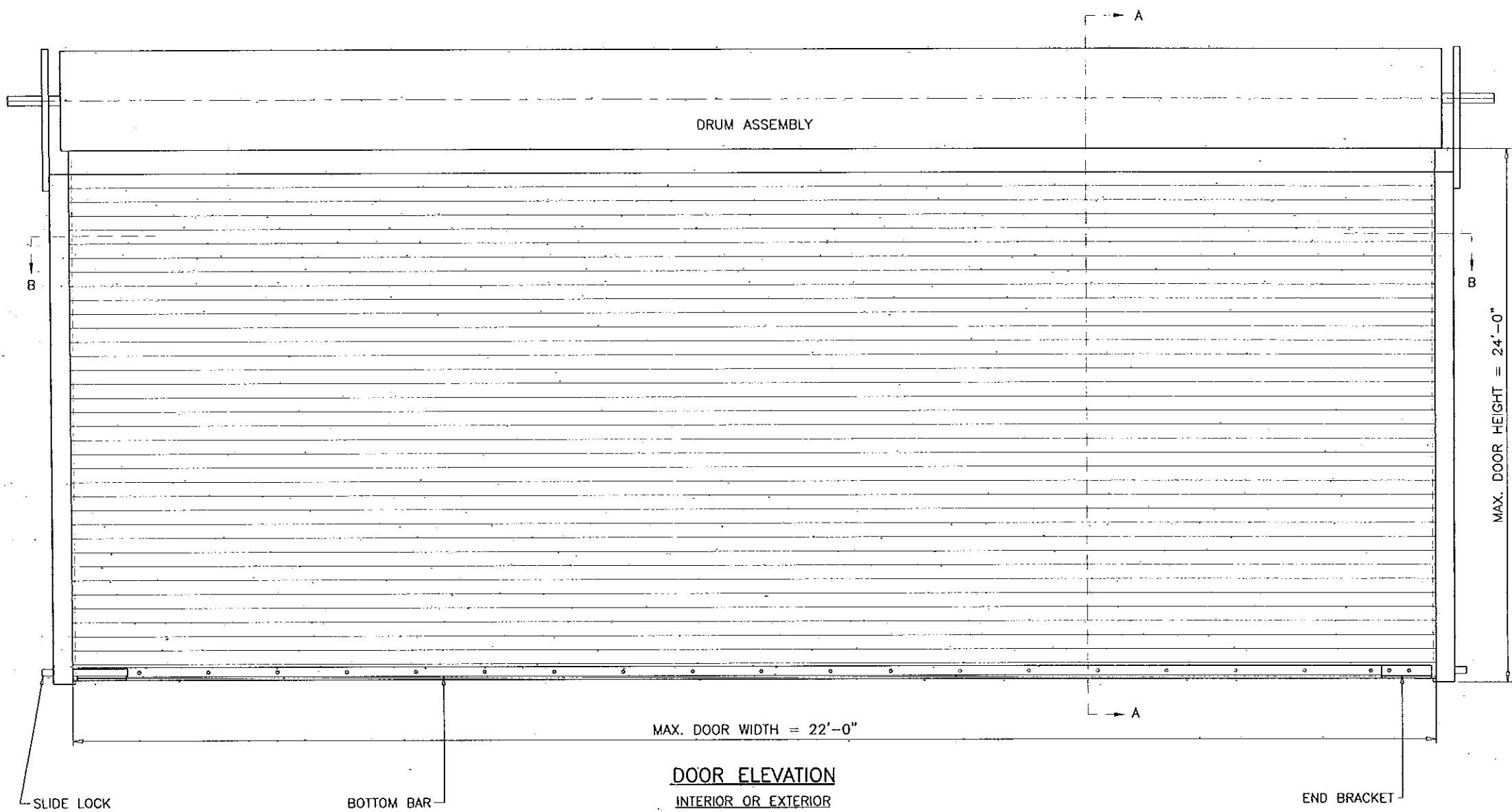
WIND LOCK 'A'

HOT ROLLED STEEL ANGLE



WIND LOCK 'B'

14 GA. COLD FORMED GALV. STEEL



DOOR ELEVATION
INTERIOR OR EXTERIOR

PRODUCT RENEWED
as complying with the Florida
Building Code
Acceptance No 14-0814.06
Expiration Date 11/25/2019
By [Signature]
Miami Dade Product Control

GENERAL NOTES

1. THIS PRODUCT HAS BEEN DESIGNED AND TESTED TO COMPLY WITH THE REQUIREMENTS OF THE FLORIDA BUILDING CODE (FBC) FIFTH EDITION (2014) INCLUDING HIGH VELOCITY HURRICANE ZONE (HVHZ).
2. ANCHORS SHALL BE AS LISTED, SPACED AS SHOWN ON DETAILS. ANCHOR EMBEDMENT TO BASE MATERIAL SHALL BE BEYOND WALL DRESSING OR STUCCO.
3. GUIDE AND WALL ANGLES SHALL CONFORM TO ASTM A-36.
4. ALL BOLTS, NUTS AND WASHERS SHALL BE ZINC PLATED CARBON STEEL.
5. ANCHORING OR LOADING CONDITIONS OTHER THAN THOSE SHOWN IN THESE DETAILS ARE NOT PART OF THIS APPROVAL.
6. SLIDE BOLT (1/4" THICK LATCH) IS INSTALLED AT EACH END BOTTOM, AND SHALL BE ENGAGED DURING HURRICANE WINDS.
7. ALL WELDING TO CONFORM TO AWS LATEST REGULATIONS AND S.F.B.C. USE E70XX ELECTRODES AND 3/16" FILLET SIZE.

MAXIMUM DESIGN LOAD RATING = + 60.0 PSF
(FOR SIZES SHOWN OR SMALLER) - 60.0 PSF

THIS PRODUCT IS RATED FOR LARGE MISSILE IMPACT

Engr: JAVAD AHMAD
CIVIL
FLA. PE # 70592
C.A.N. 3538
JUL 27 2014
[Signature]

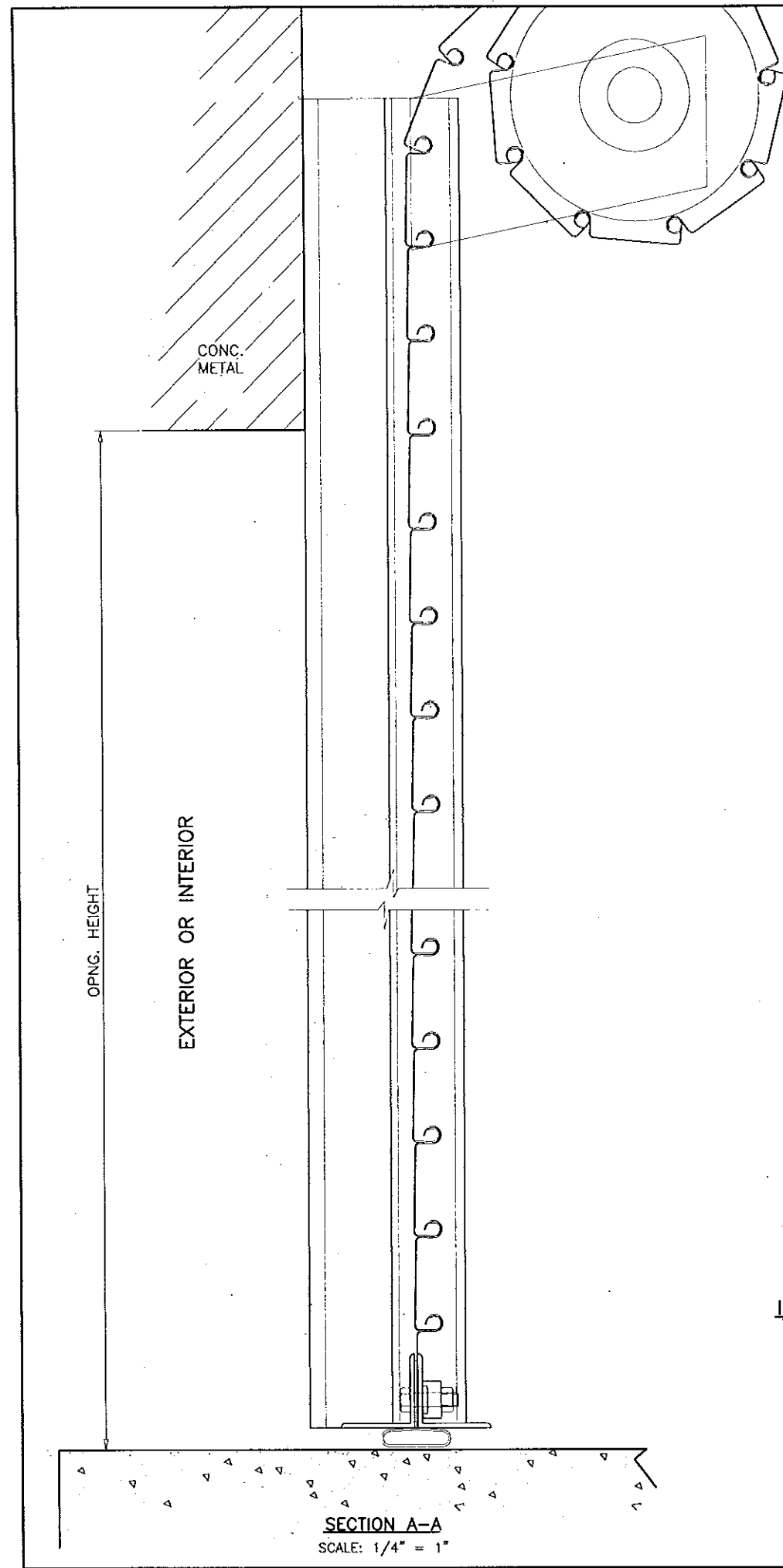
af c
AL-FAROOQ CORPORATION
ENGINEERS & PRODUCT DEVELOPMENT
1235 S.W. 87 AVE
MIAMI, FLORIDA 33174
TEL. (305) 264-5100 FAX. (305) 262-6978
GARAGE\08-11 DAB

ROLLING TYPE GARAGE DOOR
DAB DOORS INC.
12195 N.W. 98 TH. AVE.
HIALEAH GARDENS, FL. 33018
TEL. (305) 556 - 6624

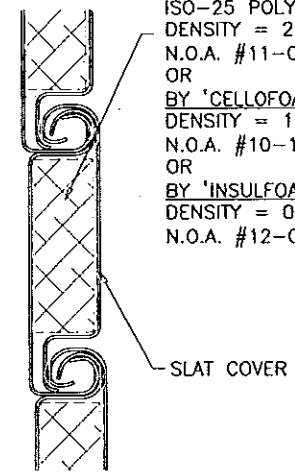
no.	date	description
A	10.13.11	UPDATED TO 2010 FBC
B	07.29.14	UPDATED TO 2014 FBC

date: 12-26-08
scale: 1/2"=1'-0"
dr. by: HAMID
chk. by:

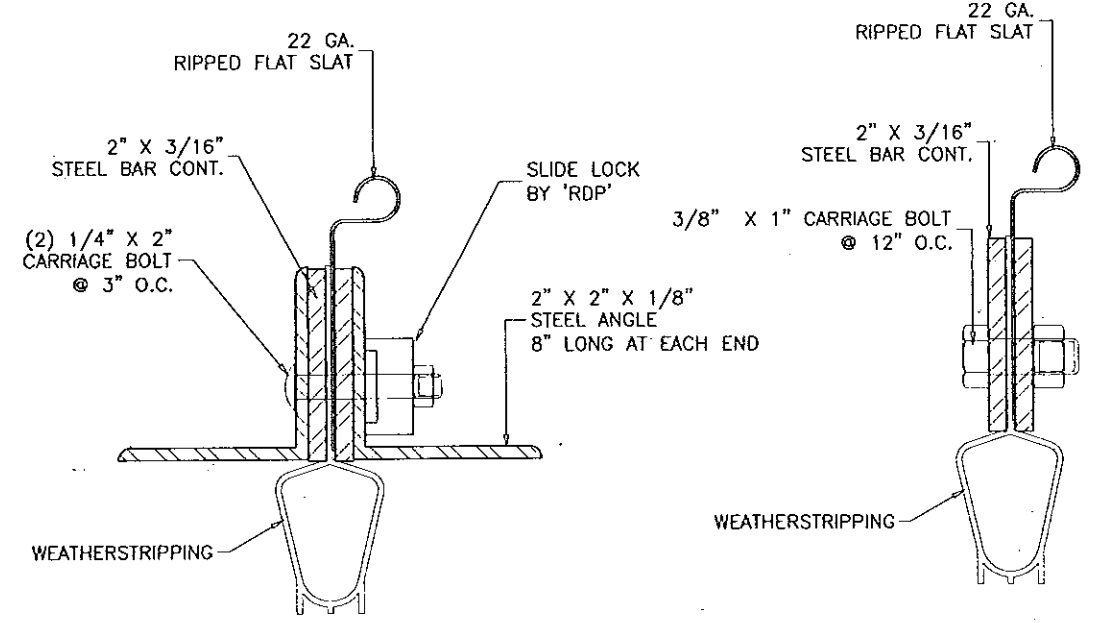
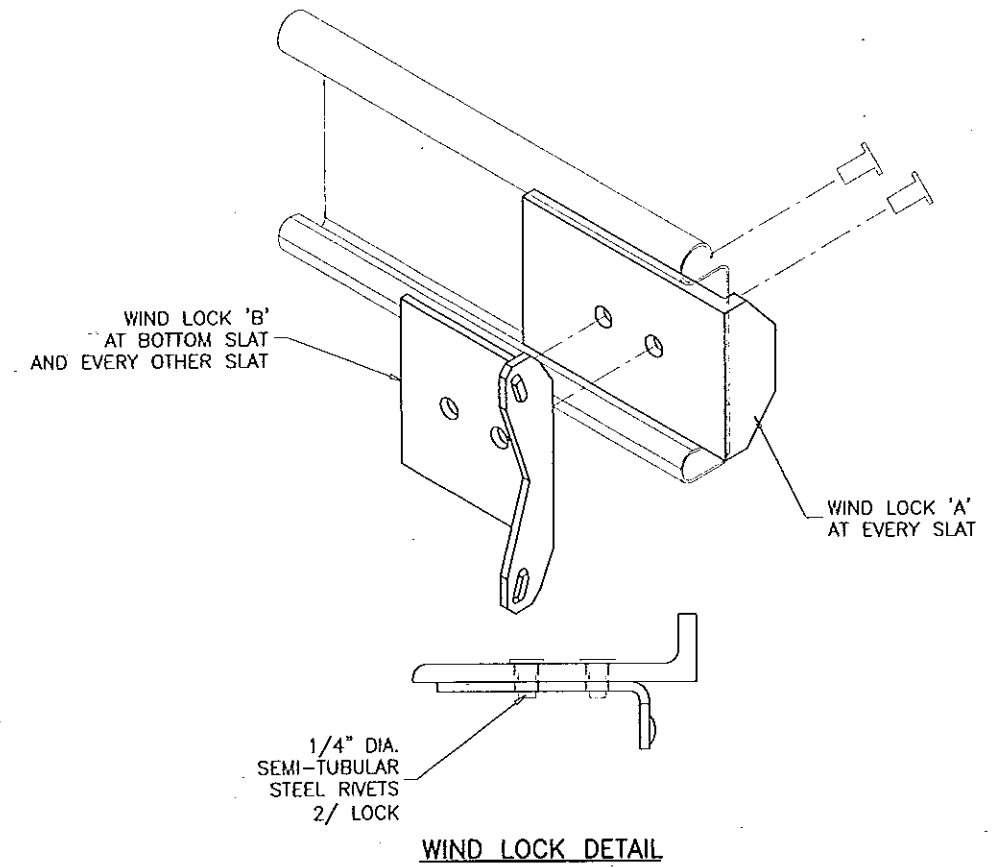
drawing no.
08-11
sheet 1 of 4



OPTIONAL INSULATIONS:
 BY 'DYPLAST PRODUCTS LLC'
 EPS-EXPANDED POLYSTYRENE
 DENSITY = 1.05 PCF
 N.O.A. #11-0926.07
 OR
 ISO-25 POLY-ISOCYANURATE
 DENSITY = 2.0 PCF
 N.O.A. #11-0926.06
 OR
 BY 'CELLOFOAM NORTH AMERICA'
 DENSITY = 1.03 PCF
 N.O.A. #10-1129.04
 OR
 BY 'INSULFOAM LLC'
 DENSITY = 0.92 PCF
 N.O.A. #12-0628.10



INSULATED SLAT DETAIL
(OPTIONAL)



END BRACKET DETAIL

BOTTOM BAR DETAIL

Engr: JAVAD AHMAD
 CIVIL
 FLA. PE # 70592
 C.A.N. 3538

JUL 31 2014

PRODUCT RENEWED
 as complying with the Florida
 Building Code
 Acceptance No. 14-0914.06
 Expiration Date 11/04/2019

By *[Signature]*
 Miami Trade Product Control

af c

AL-FAROOQ CORPORATION
 ENGINEERS & PRODUCT DEVELOPMENT
 1235 S.W. 87 AVE
 MIAMI, FLORIDA 33174
 TEL (305) 264-8100 FAX (305) 262-6978

ROLLING TYPE GARAGE DOOR

DAB DOORS INC.
 12195 N.W. 98 TH. AVE.
 HIALEAH GARDENS, FL. 33018
 TEL. (305) 556 - 6624

Revisions:

no	date	description
A	10.13.11	NO CHANGE THIS SHEET
B	07.23.14	UPDATED TO 2014 FBC

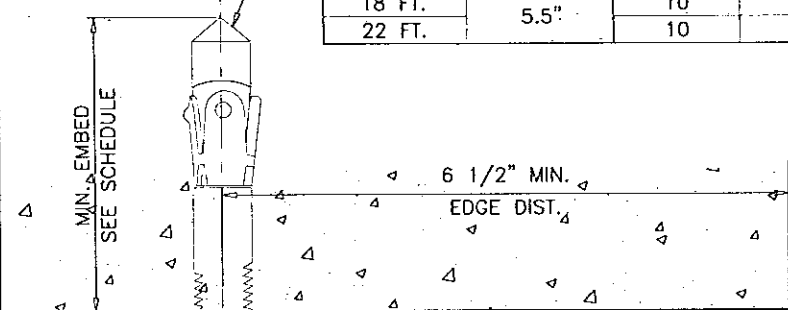
date: 12-26-08
 scale: 1/2" = 1"
 dr. by: HAMID
 chk. by:

drawing no.
08-11

sheet 2 of 4

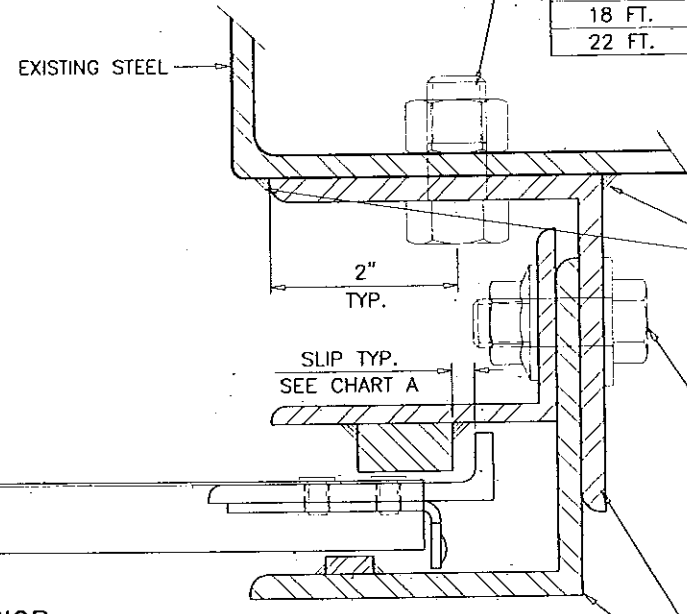
5/8" DIA. SS KWIK BOLT 3 EXPANSION ANCHORS

MAXIMUM DOOR WIDTH	MINIMUM ANCHOR EMBEDMENT	'Z' GUIDE ANCHOR SPACING - INCHES			
		INTO 3000 PSI CONC.		INTO 4000 PSI CONC.	
		LOADS UPTO 50 PSF	LOADS UPTO 60 PSF	LOADS UPTO 50 PSF	LOADS UPTO 60 PSF
UPTO 14 FT.	4"	10	10	10	10
18 FT.	5.5"	10	10	10	10
22 FT.		10	7	10	8



BOLT OPTION:
5/8" DIA. MACHINE BOLTS (ASTM A449)
TAPPED IN 1/4" MIN. STEEL

MAXIMUM DOOR WIDTH	ANCHOR SPACING - INCHES		
	UPTO 40 PSF	UPTO 50 PSF	UPTO 60 PSF
UPTO 14 FT.	10	10	10
18 FT.	10	10	8.5
22 FT.	10	8	6.5



WELD OPTION:
GUIDE ANGLE SECURED TO MIN. 1/4" THICK STEEL STRUCTURE WITH 3/16" WELDS AT 5" FROM BOTTOM AND 10" O.C. SEE SCH. FOR WELD LENGTHS

MAXIMUM DOOR WIDTH	WELD LENGTHS		
	UPTO 40 PSF	UPTO 50 PSF	UPTO 60 PSF
UPTO 14 FT.	1"	1"	1"
18 FT.	1"	1-1/8"	1-1/4"
22 FT.	1-1/8"	1-1/4"	1-3/8"

1/2" X 1-1/2" HEX HEAD BOLT WITH WASHER AND FLANGED NUT AT 4" FROM BOTTOM & 10" O.C. (4) AT 2" O.C. AT TOP OF TRACK ADDITIONAL

3-1/2" X 3-1/2" X 1/4" STEEL ANGLE

**'Z' GUIDE DETAIL
CONC. WALL**

**'E' GUIDE DETAIL
STEEL STRUCTURE**

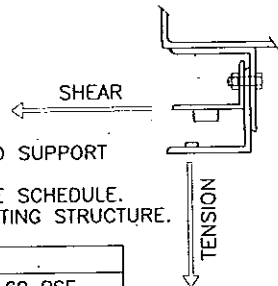
EXTERIOR OR INTERIOR

CHART 'A'

MAXIMUM DOOR WIDTH	SLIP INCHES
UPTO 14 FT.	1/2
18 FT.	5/8
22 FT.	3/4

SUPPORTING STRUCTURE MUST BE DESIGNED TO SUPPORT SHEAR & TENSION FORCES AT EACH JAMB. FOR DESIGN VALUES OF SHEAR & TENSION SEE SCHEDULE. ARCH./ENGR. TO VERIFY ADEQUACY OF SUPPORTING STRUCTURE.

MAXIMUM DOOR WIDTH	FORCES ON GUIDE/FT.					
	40 PSF		50 PSF		60 PSF	
	TENSION	SHEAR	TENSION	SHEAR	TENSION	SHEAR
UPTO 14 FT.	293	1018	367	1363	440	1702
18 FT.	373	1565	467	1995	560	2418
22 FT.	453	2024	567	2538	680	3043



GUIDE DETAILS CAN BE USED IN ANY COMBINATIONS.

Engr: JAVAD AHMAD
CIVIL
FLA. PE # 70592
C.A.N. 3538

JUL 27 2014

PRODUCT RENEWED
as complying with the Florida Building Code
Acceptance No 14-0814-06
Expiration Date 11/04/2019

By *[Signature]*
Miami Dade Product Control

AL-FAROOQ CORPORATION
ENGINEERS & PRODUCT DEVELOPMENT
1235 S.W. 87 AVE
MIAMI, FLORIDA 33174
TEL. (305) 264-8100 FAX. (305) 262-6978
GARAGE\08-11DAB

ROLLING TYPE GARAGE DOOR
DAB DOORS INC.
12195 N.W. 98 TH. AVE.
HIALEAH GARDENS, FL. 33018
TEL. (305) 556 - 6624

Revisions:	
no	date by description
A	10.13.11 NO CHANGE THIS SHEET
B	07.29.14 UPDATED TO 2014 FBC

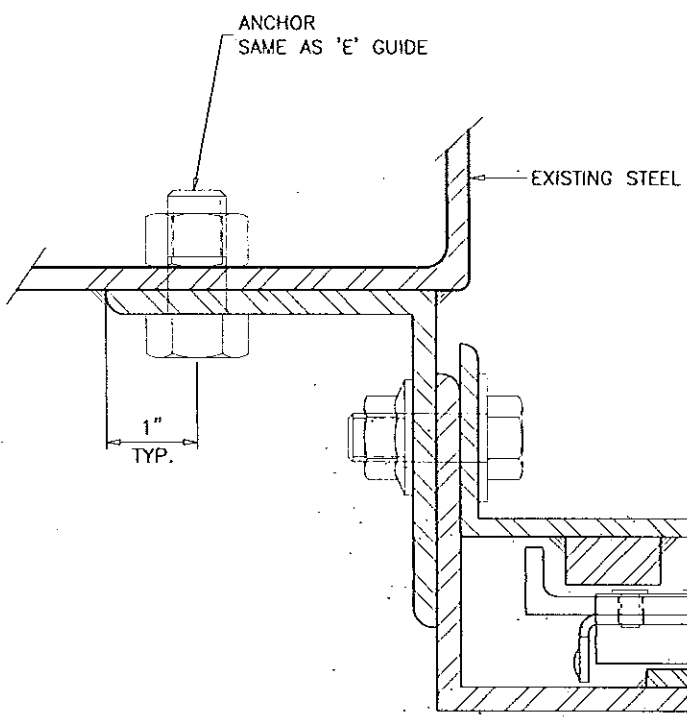
date:	12-26-08
scale:	1/2" = 1"
dr. by:	HAMID
chk. by:	

drawing no.	08-11
sheet	3 of 4

af c
AL-FAROOQ CORPORATION
 ENGINEERS & PRODUCT DEVELOPMENT
 1235 S.W. 87 AVE.
 MIAMI, FLORIDA 33174
 TEL. (305) 264-8100 FAX. (305) 262-6978
 GARAGE\08-11DAB

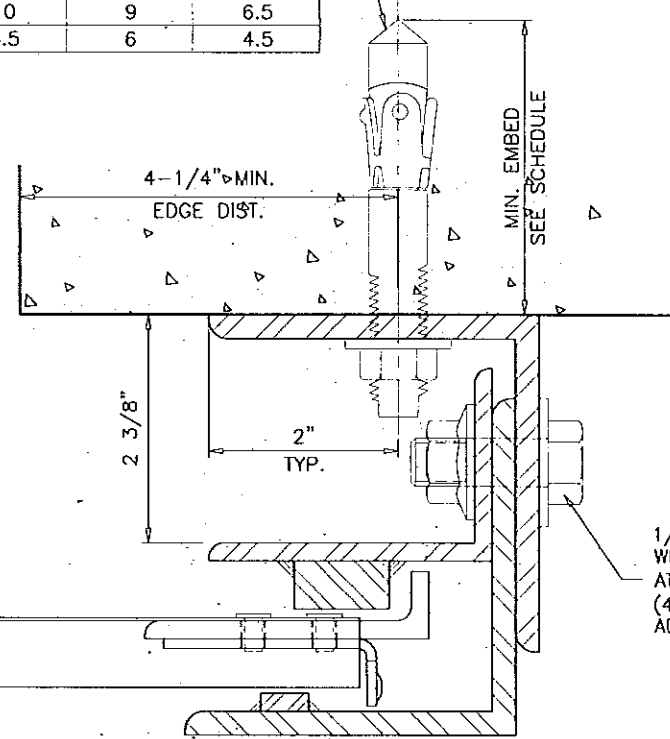
5/8" DIA. SS KWIK BOLT 3 EXPANSION ANCHOR

MAXIMUM DOOR WIDTH	MINIMUM ANCHOR EMBEDMENT	'E' GUIDE ANCHOR SPACING - INCHES					
		INTO 3000 PSI CONC.			INTO 4000 PSI CONC.		
		LOADS UPTO 40 PSF	LOADS UPTO 50 PSF	LOADS UPTO 60 PSF	LOADS UPTO 40 PSF	LOADS UPTO 50 PSF	LOADS UPTO 60 PSF
UPTO 14 FT.	5.5"	10	10	10	10	10	10
18 FT.		10	8	5.5	10	9	6.5
22 FT.		7.5	5	4	8.5	6	4.5



'Z' GUIDE DETAIL
STEEL STRUCTURE

EXTERIOR OR INTERIOR



'E' GUIDE DETAIL
CONC. WALL

ROLLING TYPE GARAGE DOOR

DAB DOORS INC.
 12195 N.W. 98 TH. AVE.
 HIALEAH GARDENS, FL. 33018
 TEL. (305) 556 - 6624

no	date	by	description
A	10.13.11		NO CHANGE THIS SHEET
B	07.29.14		UPDATED TO 2014 FBC

Engr: JAVAD AHMAD
 CIVIL
 FLA. PE # 70592
 C.A.N. 3538
 JUL 31 2014

PRODUCT RENEWED
 as complying with the Florida Building Code
 Acceptance No. 14-0914-06
 Expiration Date 11/04/2019
 By *[Signature]*
 Miami Dade Product Control

date: 12-26-08
 scale: 1/2" = 1"
 dr. by: HAMID
 chk. by:
 drawing no. 08-11
 sheet 4 of 4