



**DEPARTMENT OF REGULATORY AND ECONOMIC RESOURCES (RER)  
BOARD AND CODE ADMINISTRATION DIVISION  
NOTICE OF ACCEPTANCE (NOA)**

**MIAMI-DADE COUNTY  
PRODUCT CONTROL SECTION**  
11805 SW 26 Street, Room 208  
Miami, Florida 33175-2474  
T (786) 315-2590 F (786) 315-2599  
[www.miamidade.gov/economy](http://www.miamidade.gov/economy)

**DAB Door Company, Inc.  
12195 NW 98<sup>th</sup> Avenue  
Hialeah Gardens, FL 33018**

**SCOPE:** This NOA is being issued under the applicable rules and regulations governing the use of construction materials. The documentation submitted has been reviewed and accepted by Miami-Dade County RER-Product Control Section to be used in Miami-Dade County and other areas where allowed by the Authority Having Jurisdiction (AHJ).

This NOA shall not be valid after the expiration date stated below. The Miami-Dade County Product Control Section (In Miami-Dade County) and/or the AHJ (in areas other than Miami-Dade County) reserve the right to have this product or material tested for quality assurance purposes. If this product or material fails to perform in the accepted manner, the manufacturer will incur the expense of such testing and the AHJ may immediately revoke, modify, or suspend the use of such product or material within their jurisdiction. RER reserves the right to revoke this acceptance, if it is determined by Miami-Dade County Product Control Section that this product or material fails to meet the requirements of the applicable building code.

This product is approved as described herein and has been designed to comply with the Florida Building Code, including the High Velocity Hurricane Zone.

**DESCRIPTION: Hurricane Master Model 824/811 Steel Sectional Garage Door up to 9ft.-4in. Wide w/ Window Lite Option (DP +50.0, -60.0 PSF)**

**APPROVAL DOCUMENT:** Drawing No. **01-09**, titled “Sectional Garage Door”, sheets 1 through 5 of 5, dated 02/01/2001 with last revision M dated 07/30/2020, prepared by Al-Farooq Corporation, signed and sealed by Jalal Farooq, P.E., bearing the Miami-Dade County Product Control Revision stamp with the Notice of Acceptance number and expiration date by the Miami-Dade County Product Control Section.

**MISSILE IMPACT RATING: Large and Small Missile Impact Resistant**

**LABELING:** A permanent label with the manufacturer’s name or logo, manufacturing address, model number, the positive and negative design pressure rating, indicate impact rated if applicable, installation instruction drawing reference number, approval number (NOA), the applicable test standards, and the statement reading ‘Miami-Dade County Product Control Approved’ is to be located on the door’s side track, bottom angle, or inner surface of a panel.

**RENEWAL** of this NOA shall be considered after a renewal application has been filed and there has been no change in the applicable building code negatively affecting the performance of this product.

**TERMINATION** of this NOA will occur after the expiration date or if there has been a revision or change in the materials, use, and/or manufacture of the product or process. Misuse of this NOA as an endorsement of any product, for sales, advertising or any other purposes shall automatically terminate this NOA. Failure to comply with any section of this NOA shall be cause for termination and removal of NOA.

**ADVERTISEMENT:** The NOA number preceded by the words Miami-Dade County, Florida, and followed by the expiration date may be displayed in advertising literature. If any portion of the NOA is displayed, then it shall be done in its entirety.

**INSPECTION:** A copy of this entire NOA shall be provided to the user by the manufacturer or its distributors and shall be available for inspection at the job site at the request of the Building Official.

This NOA revises NOA # **17-1018.13** and consists of this page 1 and evidence pages E-1, E-2, E-3 and E-4, as well as approval document mentioned above.

The submitted documentation was reviewed by **Carlos M. Utrera, P.E.**



**NOA-No. 20-0901.19  
Expiration Date: August 09, 2021  
Approval Date: December 03, 2020  
Page 1**

**NOTICE OF ACCEPTANCE: EVIDENCE SUBMITTED**

**1. Evidence submitted in previous files**

**A. DRAWINGS**

1. Drawing No. **01-09**, titled “Sectional Garage Door”, sheets 1 through 5 of 5, dated 02/01/2001, with last revision **K** dated 03/21/2016, prepared by Al-Farooq Corporation, signed and sealed by Javad Ahmad, P.E.

**B. TESTS “Submitted under NOA # 09-0128.04”**

1. Test reports on 1) Uniform Static Air Pressure Test, Loading per FBC TAS 202-94  
2) Large Missile Impact Test per FBC, TAS 201-94  
3) Cyclic Wind Pressure Loading per FBC, TAS 203-94  
4) Forced Entry Test, per FBC 2411 3.2.1, TAS 202-94

along with marked-up drawings and installation diagram of a DAB 824 24 GA Sectional Garage Door with Fixed Windows, prepared by Hurricane Engineering & Testing, Inc, Test Reports No. **HETI-08-2149A/B**, dated 06/27/2008, signed and sealed by Candido F. Font, P.E.

**“Submitted under NOA # 09-0128.04”**

2. Test report of Tensile Test per ASTM E 8, Report No. **HETI 08-T182**, prepared by Hurricane Engineering & Testing, Inc., dated 12/23/2008, signed and sealed by Candido F. Font, P.E.

**“Submitted under NOA # 01-0516.03”**

3. Test report of large missile impact test per PA 201 and cyclic wind pressure test per PA 203 on “Sectional Residential Garage Door”, prepared by Hurricane Engineering & Testing, Inc., Report No. **HETI 01-974A**, dated 01/29/2001, signed and sealed by Hector M. Medina, P.E.
4. Test report of Uniform Static Air Pressure Test per PA 202 and Force Entry Resistance Test on “Sectional Residential Garage Door”, prepared by Hurricane Engineering & Testing, Inc., Report No. **HETI 01-969**, dated 01/18/2001, signed and sealed by Hector M. Medina, P.E.
5. Test report on Salt Spray (Corrosion) Test per ASTM B 117 of a painted G-40 steel panels, prepared by Celotex Corporation, Test Report No. **258592**, dated 08/17/1998, signed by W. A. Jackson, P.E.



---

**Carlos M. Utrera, P.E.**  
**Product Control Examiner**  
**NOA-No. 20-0901.19**  
**Expiration Date: August 09, 2021**  
**Approval Date: December 03, 2020**

**NOTICE OF ACCEPTANCE: EVIDENCE SUBMITTED**

**C. CALCULATIONS “Submitted under NOA # 14-0814.04”**

1. Anchor verification calculations prepared by Al-Farooq Corporation, dated 09/22/2014 and 07/24/2014, signed and sealed by Javad Ahmad, P.E.

**“Submitted under NOA # 09-0128.04”**

2. Anchor verification calculations prepared by Al-Farooq Corporation, complying with F.B.C 2007, dated 12/19/2008, signed and sealed by Humayoun Farooq, P.E.

**D. QUALITY ASSURANCE**

1. Miami-Dade Department of Regulatory and Economic Resources (RER)

**E. MATERIAL CERTIFICATIONS**

1. Notice of Acceptance No. **15-0915.08**, issued to SABIC Innovative Plastics, for their Lexan Polycarbonate Sheet Products, approved on 12/10/2015 and expiring on 07/17/2018.
2. Notice of Acceptance No. **14-0311.08**, issued to Insulfoam, LLC, for their Insulfoam Expanded Polystyrene Insulation, approved on 08/14/2014 and expiring on 11/29/2017.
3. Notice of Acceptance No. **11-0926.07**, issued to Dyplast Products, LLC, for their Expanded Polystyrene Block Type Insulation, approved on 11/10/2011 and expiring on 01/11/2017.
4. Notice of Acceptance No. **11-0926.06**, issued to Dyplast Products, LLC, for their Dyplast ISO-C1 Polyisocyanurate Insulation, approved on 11/10/2011 and expiring on 01/11/2017.
5. Notice of Acceptance No. **15-1203.04**, issued to Cellofoam North America Inc, for their Expanded Polystyrene Block Insulation, approved on 03/17/2016 and expiring on 02/24/2021.

**“Submitted under NOA # 05-0228.02”**

6. Test Report on Accelerated Weathering Using Xenon Arc Light Apparatus Test per ASTM G155 of “PVC Extrusion Material”, prepared by Hurricane Engineering & Testing, Inc., Report No. **HETI 04-A002**, dated 09/27/2004, signed and sealed by Rafael E. Droz-Seda, P.E.
7. Test Reports on Tensile Test per ASTM D638 of “PVC Extrusion Material”, prepared by Hurricane Engineering & Testing Inc., Report No. **HETI 04-T251**, dated 11/29/2004 signed and sealed by I. Ghia, P.E.
8. Test Report on Self-Ignition Temperature Test, Rate of Burn Test and Smoke Density Test of “REHAU non-foam PVC extrusion material”, prepared by ETC Laboratories, Report No. **04-761-15019.0**, dated 05/06/2004, signed and sealed by J. L. Doldan, P.E.

**F. STATEMENTS**

1. Statement letter of code conformance to the 5<sup>th</sup> edition (2014) FBC and of no financial interest issued by Al-Farooq Corporation, dated 03/21/2016, signed and sealed by Javad Ahmad, P.E.



---

**Carlos M. Utrera, P.E.**  
**Product Control Examiner**  
**NOA-No. 20-0901.19**

**Expiration Date: August 09, 2021**  
**Approval Date: December 03, 2020**

**NOTICE OF ACCEPTANCE: EVIDENCE SUB**

**2. EVIDENCE SUBMITTED IN PREVIOUS NOA # 17-1018.13**

**A. DRAWINGS**

1. Drawing No. **01-09**, titled “Sectional Garage Door”, sheets 1 through 5 of 5, dated 02/01/2001, with last revision **K** dated 03/21/2016, sheets 1 through 5 of 5, prepared by Al-Farooq Corporation, signed and sealed by Javad Ahmad, P.E.

Note: This revision consists of editorial changes to comply with FBC 2017.

**B. CALCULATIONS**

1. None.

**C. QUALITY ASSURANCE**

1. Miami Dade Department of Regulatory and Economic Resources (RER).

**D. MATERIAL CERTIFICATIONS**

1. Notice of Acceptance No. **17-0221.06**, issued to Insulfoam, LLC, for their Insulfoam Expanded Polystyrene Insulation, expiring on 11/29/2022.
2. Notice of Acceptance No. **16-1108.04**, issued to Dyplast Products, LLC, for their Dyplast ISO-C1 Polyisocyanurate Insulation, expiring on 01/11/2022.
3. Notice of Acceptance No. **15-1203.04**, issued to Cellofoam North America Inc, for their Expanded Polystyrene Block Insulation, expiring on 02/24/2021.
4. Notice of Acceptance No. **15-0915.08**, issued to SABIC Innovative Plastics, for their Lexan Sheet Products, expiring on 07/17/2018.

**E. STATEMENTS**

1. Statement letter of conformance to FBC 2014 (**5<sup>th</sup>** Edition) and FBC 2017 (**6<sup>th</sup>** Edition), prepared by Al Farooq Corporation, dated 10/05/17, signed and sealed by Javad Ahmad, P.E.

**F. OTHER**

1. This NOA revises NOA # **16-0330.02**, expiring 08/09/21.



---

**Carlos M. Utrera, P.E.**  
**Product Control Examiner**  
**NOA-No. 20-0901.19**  
**Expiration Date: August 09, 2021**  
**Approval Date: December 03, 2020**

**NOTICE OF ACCEPTANCE: EVIDENCE SUBMITTED**

**3. NEW EVIDENCE SUBMITTED**

**A. DRAWINGS**

1. Drawing No. **01-09**, titled “Sectional Garage Door”, sheets 1 through 5 of 5, dated 02/01/2001 with last revision **M** dated 07/30/2020, sheets 1 through 5 of 5, prepared by Al-Farooq Corporation, dated 08/13/2020, signed and sealed by Jalal Farooq, P.E.

**B. TESTS**

1. None.

**C. CALCULATIONS**

1. None.

**D. QUALITY ASSURANCE**

1. Miami Dade Department of Regulatory and Economic Resources (RER).

**E. MATERIAL CERTIFICATIONS**

1. Notice of Acceptance No. **19-0129.06**, issued to Insulfoam, LLC, for their Insulfoam Expanded Polystyrene Preformed Block Type I Insulation, expiring on 11/29/2022.
2. Notice of Acceptance No. **17-1207.04**, issued to Dyplast Products, LLC, for their Dyplast ISO-C1 Polyisocyanurate Rigid Foam Insulation, expiring on 01/11/2022.
3. Notice of Acceptance No. **18-0918.06**, issued to Plaskolite, LLC, for their TUFFAK Polycarbonate Sheets, approved on 01/15/2018 and expiring on 8/27/2022.

**F. STATEMENTS**

1. Letter of conformance to FBC 2020 (7<sup>th</sup> Edition) and FBC 2017 (6<sup>th</sup> Edition), prepared by Al Farooq Corporation, dated 07/15/2020, signed and sealed by Jalal Farooq, P.E.



---

**Carlos M. Utrera, P.E.**  
**Product Control Examiner**  
**NOA-No. 20-0901.19**  
**Expiration Date: August 09, 2021**  
**Approval Date: December 03, 2020**

7-1/2" X 3" X .071" GALV. STEEL  
END ROLLER HINGE  
W/ (6) #14 X 5/8" SMS  
WITHOUT DELRON SLEEVE (STD.)  
WITH DELRON SLEEVE (OPTIONAL)

7-1/2" X 2-1/4" X .071"  
GALV. STEEL CENTER HINGE  
W/ (4) #14 X 5/8" SMS  
WITH DELRON SLEEVE (OPTIONAL)

LOCK  
2/ DOOR

1" W X .15" THK. LATCH  
STANDARD LOCK  
SPRING LOADED SLIDE BOLT (BOTH SIDES)  
FASTENED W/ (4) #14 X 1/2" S.M.S.  
5/8" MIN. LOCK ENGAGEMENT  
CONFORMS TO SECTION 100B REGARDING GARAGE DOORS

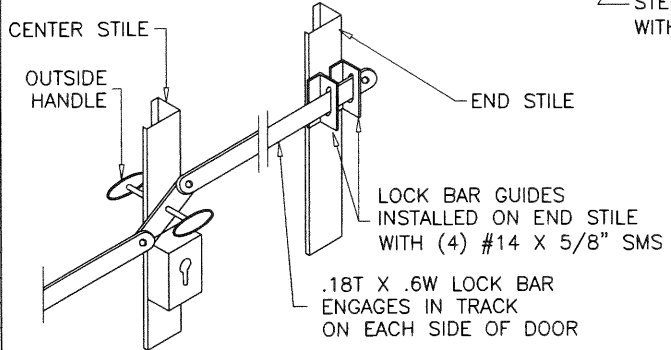
.158 DIA. GALV. AIRCRAFT TYPE  
CABLE & NICO-PRESS SLEEVE  
W/ MIN. 5 TO 1 SAFETY FACTOR

6" X 3" X 0.1"  
STEEL PLATE  
WITH (2) #14 X 5/8" SMS

BRACKET  
STD. LIFT DOOR

BRACKET  
LOW HEADROOM  
DOOR OPTION

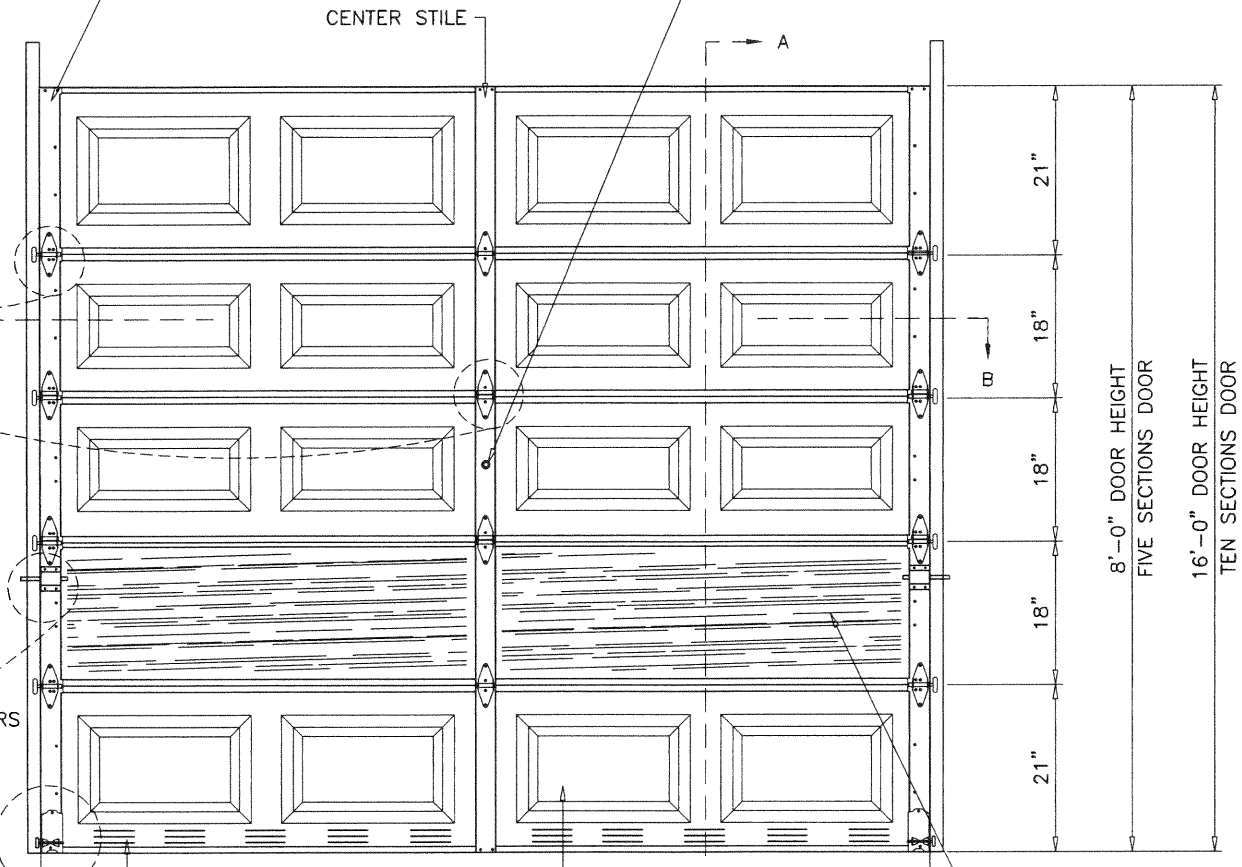
7-7/8" X 3-1/8" X .010"  
STEEL PLATE  
WITH (4) #14 X 3/4" SDS



**OUTSIDE KEYED LOCK (OPTIONAL)**  
LOCK BAR LOCKING SHOWN  
ALTERNATE TO SPRING LOADED SLIDE BOLT  
LOCKS SHOWN ABOVE

TOP FIXTURE 5-1/2" X 2-3/4" X 0.1"  
STEEL PLATE WITH ONE 5/16-18 MS W/ NUT  
FASTENED TO END STILE WITH  
(6) #14 X 3/4" SELF DRILLING SCREWS

OPTIONAL DOOR VIEWER  
TO BE INSTALLED AT  
CENTER STILE



**INSIDE ELEVATION**  
RAISED PANEL EMBOSSED DOOR

#14 X 3/4" SELF DRILLING SCREWS MAY BE USED  
IN LIEU OF #14 X 5/8" SMS

**DAB DOORS INC.**  
Hurricane Master® Model 824/811  
Max. Size 9'-4" X 16'-0" High  
With Window Lite Option

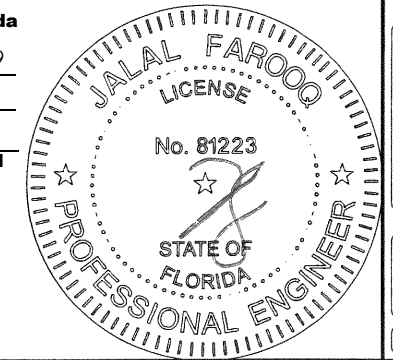
DESIGN PRESSURE RATING = + 50.0 PSF  
- 60.0 PSF

DOOR TESTED IN ACCORDANCE WITH THE REQUIREMENTS OF FLORIDA  
BUILDING CODE, TAS-202, TAS-201 & TAS-203 FOR HVHZ AND  
ASTM E1886-05/ASTM E1996-09.

THIS PRODUCT IS RATED FOR LARGE MISSILE IMPACT

**PRODUCT REVISED**  
as complying with the Florida  
Building Code  
NOA-No. 20-0901.19  
Expiration Date 08/09/2021

By *[Signature]*  
Miami-Dade Product Control  
NOV 17 2020



DOOR HEIGHT	CONSISTS OF	
6'-6"	2 SECTIONS 18"	2 SECTIONS 21"
6'-9"	1 SECTION 18"	3 SECTIONS 21"
7'	4 SECTIONS 21"	-
7'-3"	-	-
7'-6"	5 SECTIONS 18"	-
7'-9"	4 SECTIONS 18"	1 SECTION 21"
8'	3 SECTIONS 18"	2 SECTIONS 21"
8'-3"	2 SECTIONS 18"	3 SECTIONS 21"
8'-6"	1 SECTION 18"	4 SECTIONS 21"
8'-9"	5 SECTIONS 21"	-
9'	6 SECTIONS 18"	-
9'-3"	5 SECTIONS 18"	1 SECTION 21"
9'-6"	4 SECTIONS 18"	2 SECTIONS 21"
9'-9"	3 SECTIONS 18"	3 SECTIONS 21"
10'	2 SECTIONS 18"	4 SECTIONS 21"
10'-3"	1 SECTION 18"	5 SECTIONS 21"
10'-6"	6 SECTIONS 21"	-
10'-9"	6 SECTIONS 18"	1 SECTION 21"
11'	5 SECTIONS 18"	2 SECTIONS 21"
11'-3"	4 SECTIONS 18"	3 SECTIONS 21"
11'-6"	3 SECTIONS 18"	4 SECTIONS 21"
11'-9"	2 SECTIONS 18"	5 SECTIONS 21"
12'	1 SECTIONS 18"	6 SECTIONS 21"
12'-3"	7 SECTIONS 21"	-
12'-6"	6 SECTIONS 18"	2 SECTIONS 21"
12'-9"	5 SECTIONS 18"	3 SECTIONS 21"
13'	4 SECTIONS 18"	4 SECTIONS 21"
13'-3"	3 SECTIONS 18"	5 SECTIONS 21"
13'-6"	2 SECTIONS 18"	6 SECTIONS 21"
13'-9"	1 SECTION 18"	7 SECTIONS 21"
14'	8 SECTIONS 21"	-
14'-3"	6 SECTIONS 18"	3 SECTIONS 21"
14'-6"	5 SECTIONS 18"	4 SECTIONS 21"
14'-9"	4 SECTIONS 18"	5 SECTIONS 21"
15'	3 SECTIONS 18"	6 SECTIONS 21"
15'-3"	2 SECTIONS 18"	7 SECTIONS 21"
15'-6"	1 SECTION 18"	8 SECTIONS 21"
15'-9"	9 SECTIONS 21"	-
16'	6 SECTIONS 18"	4 SECTIONS 21"

- GENERAL NOTES**
- THIS PRODUCT HAS BEEN DESIGNED AND TESTED TO COMPLY WITH THE REQUIREMENTS OF THE 2017 (6TH EDITION)/2020 (7TH EDITION) FLORIDA BUILDING CODE INCLUDING HIGH VELOCITY HURRICANE ZONE (HVHZ).
  - ANCHORS SHALL BE CORROSION RESISTANT, SPACED AS SHOWN ON DETAILS AND INSTALLED PER MANUF'S INSTRUCTIONS. SPECIFIED EMBEDMENT TO BASE MATERIAL SHALL BE BEYOND WALL DRESSING OR STUCCO.
  - A LOAD DURATION INCREASE IS USED IN DESIGN OF ANCHORS INTO WOOD ONLY.
  - MATERIALS INCLUDING BUT NOT LIMITED TO STEEL/METAL SCREWS, THAT COME INTO CONTACT WITH OTHER DISSIMILAR MATERIALS SHALL MEET THE REQUIREMENTS OF THE 2017/2020 FLORIDA BLDG. CODE & ADOPTED STANDARDS.
  - THIS PRODUCT APPROVAL IS GENERIC AND DOES NOT PROVIDE INFORMATION FOR A SITE SPECIFIC PROJECT, I.E. LIFE SAFETY OF THIS PRODUCT, ADEQUACY OF STRUCTURE RECEIVING THIS PRODUCT AND SEALING AROUND OPENING FOR WATER INFILTRATION RESISTANCE ETC. CONDITIONS NOT SHOWN IN THIS DRAWING ARE TO BE ANALYZED SEPARATELY, AND TO BE REVIEWED BY BUILDING OFFICIAL.
  - MANUFACTURER'S LABEL SHALL BE LOCATED ON A READILY VISIBLE LOCATION IN ACCORDANCE WITH SECTION 1709.9.3 OF FLORIDA BUILDING CODE. LABELING TO COMPLY WITH SECTION 1709.9.2.

**af c**  
**AL-FAROOQ CORPORATION**  
ENGINEERS & PRODUCT DEVELOPMENT  
9360 SUNSET DRIVE, SUITE 220  
MIAMI, FLORIDA 33173  
TEL. (305) 264-8100 FAX. (305) 262-6978  
GARAGE\01-09DAB

SECTIONAL GARAGE DOOR  
**DAB Door Company, Inc.**  
12195 N.W. 98th Ave.  
Hialeah Gardens, Fl. 33018  
Tel: (800) 257-2016 Fax: (305) 362-9272

revisions:  
no. date by description  
J 03.09.15 NO CHANGE THIS SHEET  
K 03.21.16 NO CHANGE THIS SHEET  
L 10.03.17 UPDATED TO 2017 FBC  
M 07.30.20 UPDATED TO 2020 FBC

date: 02-01-01  
scale: 1/2"=1'-0"  
dr. by: TARIO  
chk. by:

drawing no.  
**01-09**  
sheet 1 of 5

afc

**AL-FAROOQ CORPORATION**  
 ENGINEERS & PRODUCT DEVELOPMENT  
 9360 SUNSET DRIVE, SUITE 220 (C.A.N. 3538)  
 MIAMI, FLORIDA 33173  
 TEL. (305) 264-8100 FAX. (305) 262-6978

GARAGE\01-09DAB

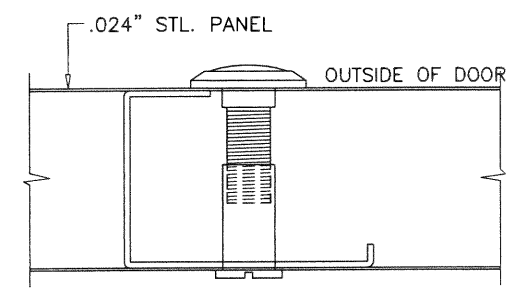
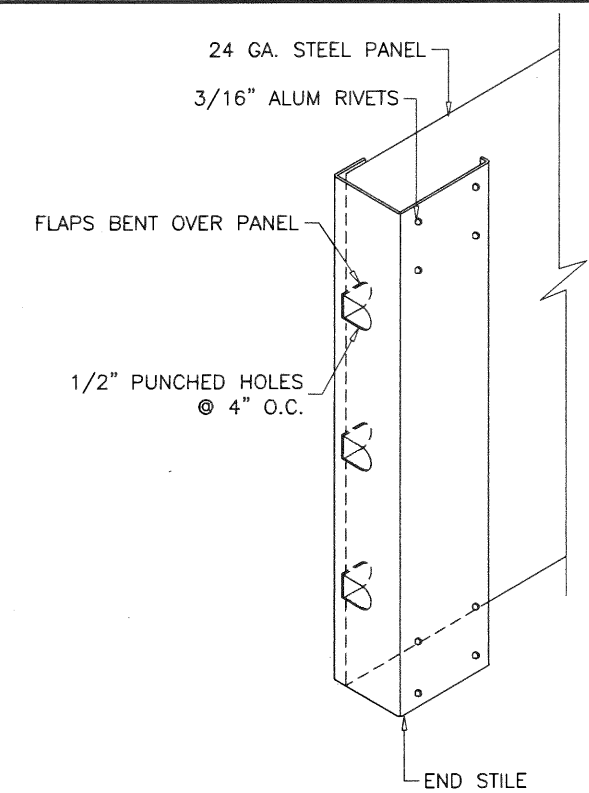
SECTIONAL GARAGE DOOR

**DAB Door Company, Inc.**  
 12195 N.W. 98th Ave.  
 Hialeah Gardens, Fl. 33018  
 Tel: (800) 257-2016 Fax: (305) 362-9272

no	date	description
J	03.09.15	NO CHANGE THIS SHEET
K	03.21.16	NO CHANGE THIS SHEET
L	10.03.17	UPDATED TO 2017 FBC
M	07.30.20	UPDATED TO 2020 FBC

date:	02-01-01
scale:	-
dr. by:	TARIQ
chk. by:	

drawing no.  
**01-09**  
 sheet 2 of 5

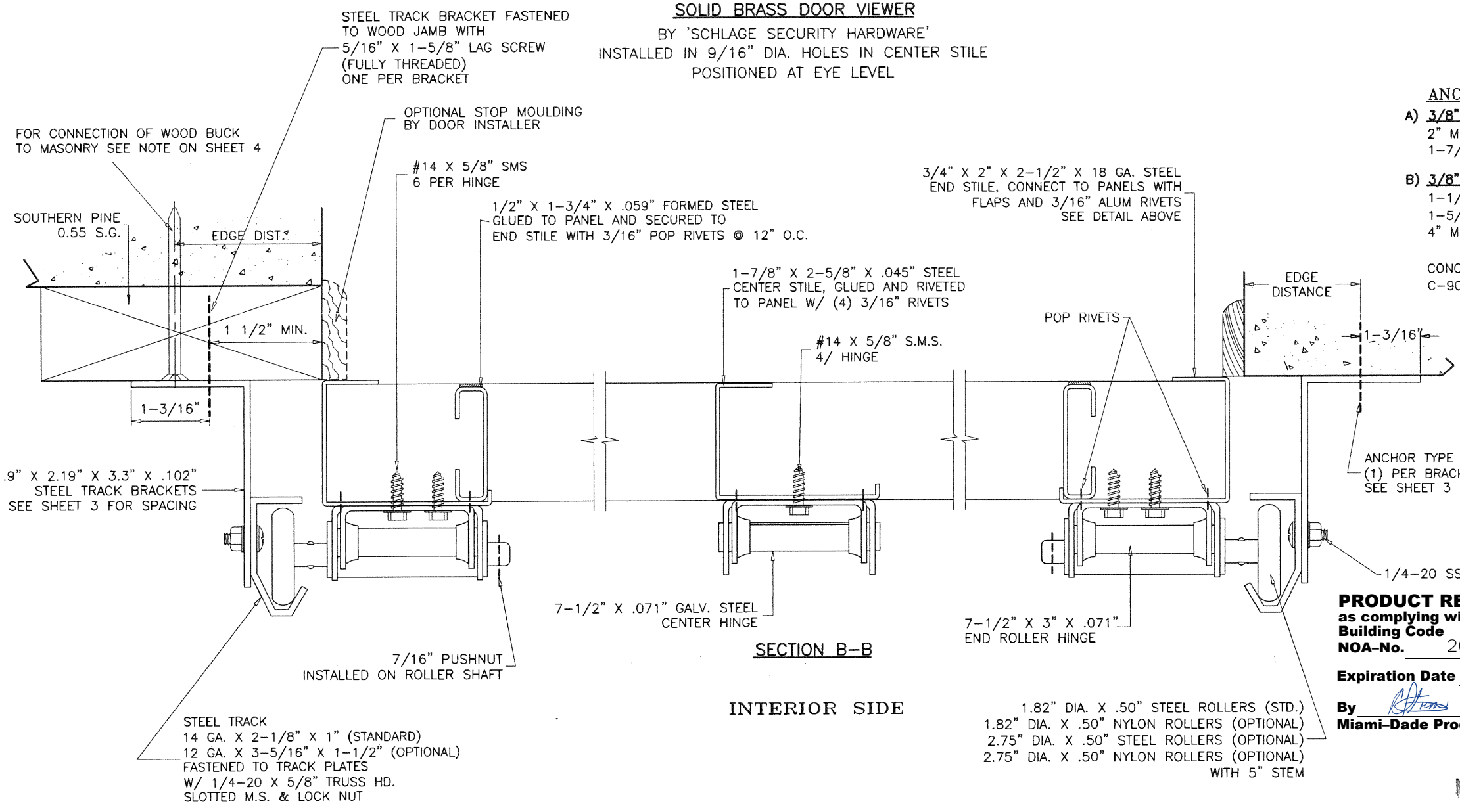


**SOLID BRASS DOOR VIEWER**  
 BY 'SCHLAGE SECURITY HARDWARE'  
 INSTALLED IN 9/16" DIA. HOLES IN CENTER STILE  
 POSITIONED AT EYE LEVEL

**ANCHORS AT TRACK BRACKET:**

- A) **3/8" DIA. POWER-BOLT BY 'DEWALT'**  
 2" MIN. EMBED INTO CONCRETE  
 1-7/8" MIN. EDGE DISTANCE
- B) **3/8" DIA. HLC SLEEVE BY 'HILTI'**  
 1-1/4" MIN. EMBED INTO CONCRETE OR FILLED BLOCK  
 1-5/8" MIN. EDGE DISTANCE INTO CONCRETE  
 4" MIN. EDGE DISTANCE INTO FILLED BLOCK

CONCRETE f'c = 3000 PSI MIN.  
 C-90 GROUT FILLED BLOCK f'm = 2000 PSI MIN.



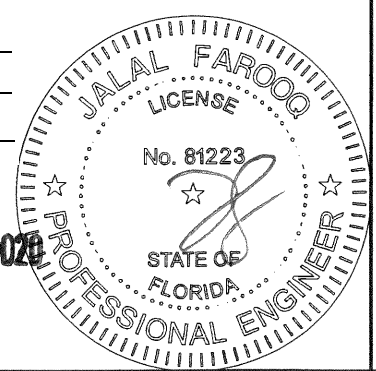
**SECTION B-B**

INTERIOR SIDE

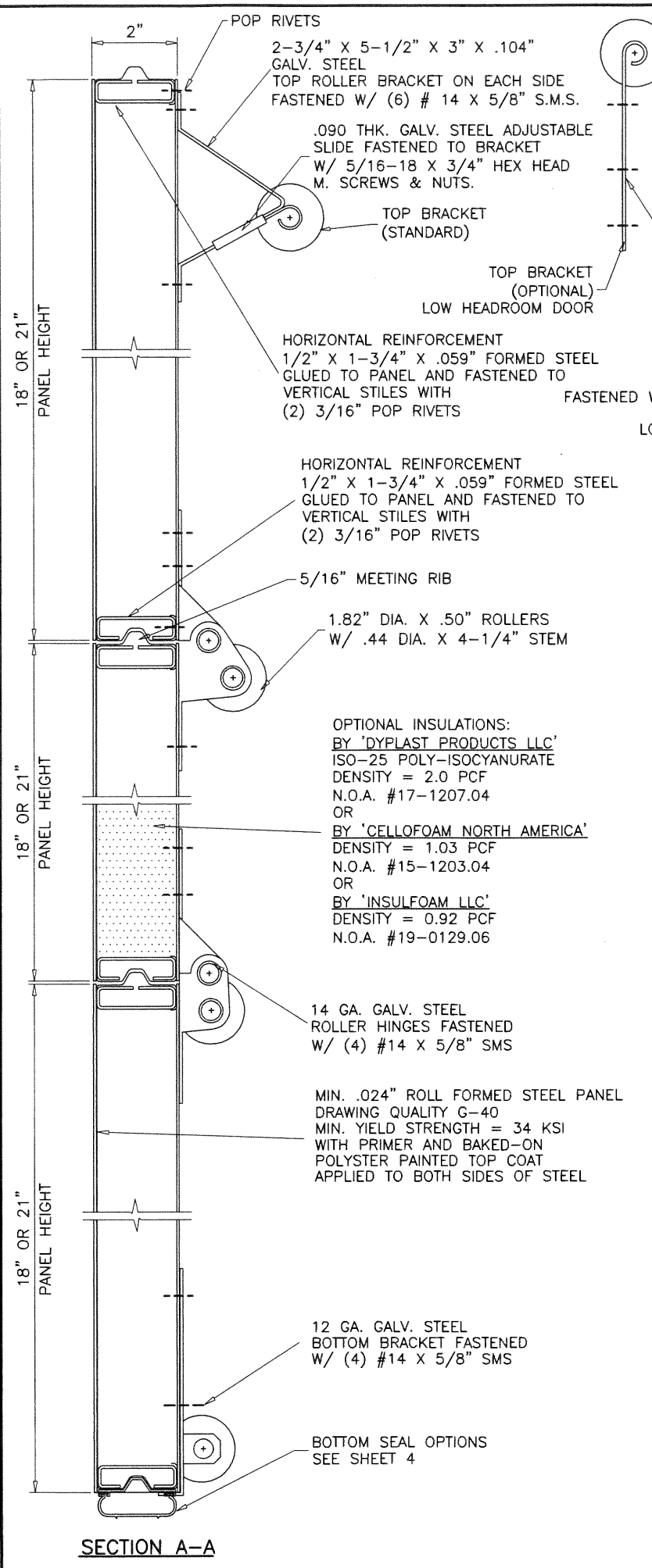
**PRODUCT REVISED**  
 as complying with the Florida  
 Building Code  
 NOA-No. 20-0901.19

Expiration Date 08/09/2021

By *[Signature]*  
 Miami-Dade Product Control



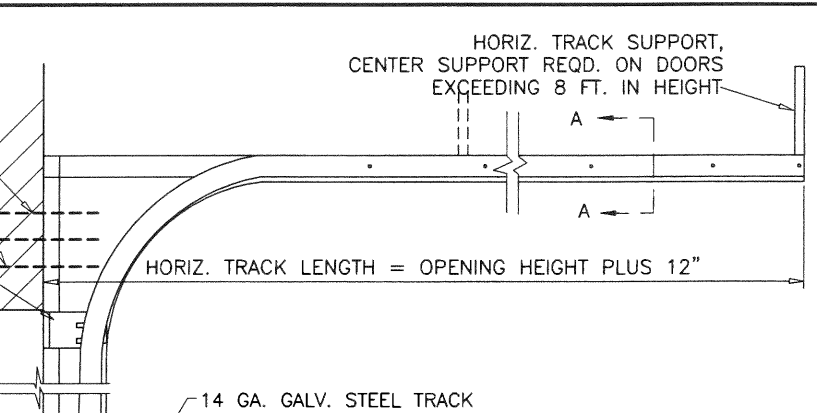
NOV 17 2020



5/16" X 1-5/8" LAG SCREWS INTO WOOD OR 5/16" SLEEVE ANCHORS WITH 1-1/4" EMBED INTO MASONRY 3 PER BRACKET

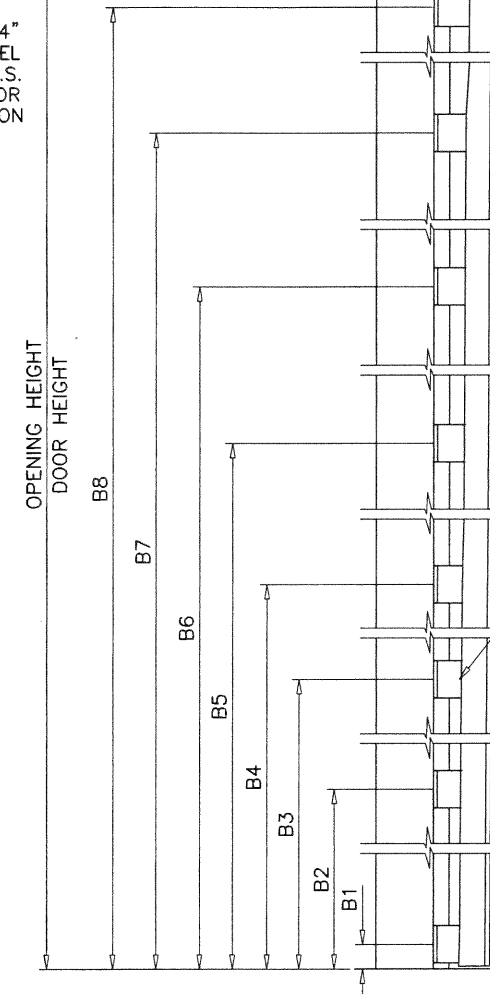
2-1/2" X 4-1/4" X 13 GA. STEEL PLATES WELDED TO 1-1/2" X 1-1/2" X 14 GA. ANGLE FASTENED TO TRACK WITH (4) 1/4-20 SS. BOLT & NUTS

2" X 5-1/2" X .104" GALV. STEEL FASTENED W/ (4) # 14 X 5/8" S.M.S. TOP ROLLER BRACKET FOR LOW HEADROOM DOOR OPTION



2 X 2 X 1/8" HORIZ. ANGLE SPOT WELDED TO HORIZ. TRACK WITH TWO WELDS AT 1-1/2" APART FIRST AT 3" O.C. REST AT 9" O.C. CONNECTED TO FLAG BRACKET ANGLE W/ 3/8-16 X 3/4" BOLT & NUT AND TO SPRING SHAFT GUIDE WITH (2) 1/4-20 X 5/8" BOLT & NUT

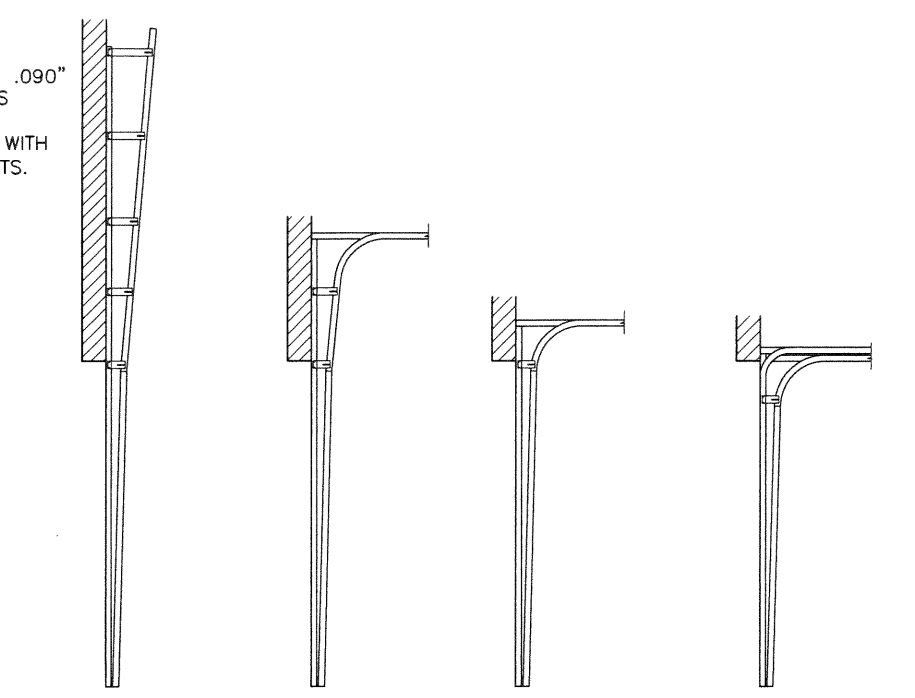
SECTION A-A



DOOR HEIGHT	* SECTION HEIGHTS					BRACKET PLACEMENTS							
	1ST	2ND	3RD	4TH	5TH	B1	B2	B3	B4	B5	B6	B7	B8
6'-0"	18"	18"	18"	18"	N/A	1" TO 2"	11-3/4"	23"	34"	45"	56"	67"	-
6'-6"	21"	18"	18"	21"	N/A	1" TO 2"	11-3/4"	23"	34"	45"	56"	67"	-
7'-0"	21"	21"	21"	21"	N/A	1" TO 2"	11-3/4"	23"	34"	45"	56"	67"	-
7'-6"	18"	18"	18"	18"	1"	1" TO 2"	11-3/4"	23"	34"	45"	56"	67"	78-1/4"
8'-0"	21"	18"	18"	18"	1"	1" TO 2"	11-3/4"	23"	34"	45"	56"	67"	78-1/4"

\*-SECTIONS ARE NUMBERED STARTING AT THE BOTTOM FOR DOORS MORE THAN 8 FT. HIGH, USE ADDITIONAL TRACK BRACKETS AT 10" O.C.

1.9" X 2.19" X 3.3" X .090" STEEL TRACK BRACKETS 2-3/16" HIGH CONNECTED TO TRACK WITH (1) 1/4" BOLTS & NUTS.



AVAILABLE TRACK OPTIONS

OPTIONAL INSULATIONS:  
 BY 'DYPLAST PRODUCTS LLC'  
 ISO-25 POLY-ISOCYANURATE  
 DENSITY = 2.0 PCF  
 N.O.A. #17-1207.04  
 OR  
 BY 'CELLOFOAM NORTH AMERICA'  
 DENSITY = 1.03 PCF  
 N.O.A. #15-1203.04  
 OR  
 BY 'INSULFOAM LLC'  
 DENSITY = 0.92 PCF  
 N.O.A. #19-0129.06

14 GA. GALV. STEEL ROLLER HINGES FASTENED W/ (4) #14 X 5/8" SMS

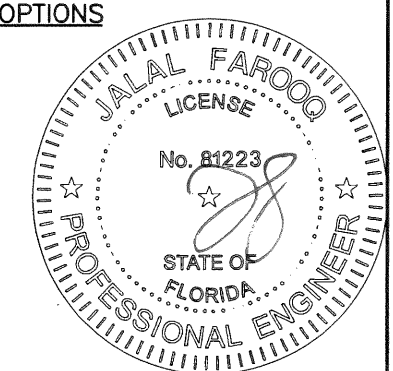
MIN. .024" ROLL FORMED STEEL PANEL DRAWING QUALITY G-40 MIN. YIELD STRENGTH = 34 KSI WITH PRIMER AND BAKED-ON POLYESTER PAINTED TOP COAT APPLIED TO BOTH SIDES OF STEEL

12 GA. GALV. STEEL BOTTOM BRACKET FASTENED W/ (4) #14 X 5/8" SMS

BOTTOM SEAL OPTIONS SEE SHEET 4

**PRODUCT REVISED**  
 as complying with the Florida Building Code  
 NOA-No. 20-0901.19  
 Expiration Date 08/09/2021  
 By *[Signature]*  
 Miami-Dade Product Control

NOV 17 2020



**AL-FAROOQ CORPORATION**  
 ENGINEERS & PRODUCT DEVELOPMENT  
 9360 SUNSET DRIVE, SUITE 220  
 MIAMI, FLORIDA 33173 (C.A.N. 3538)  
 TEL. (305) 264-8100 FAX. (305) 262-6978  
 GARAGE/01-09DAB

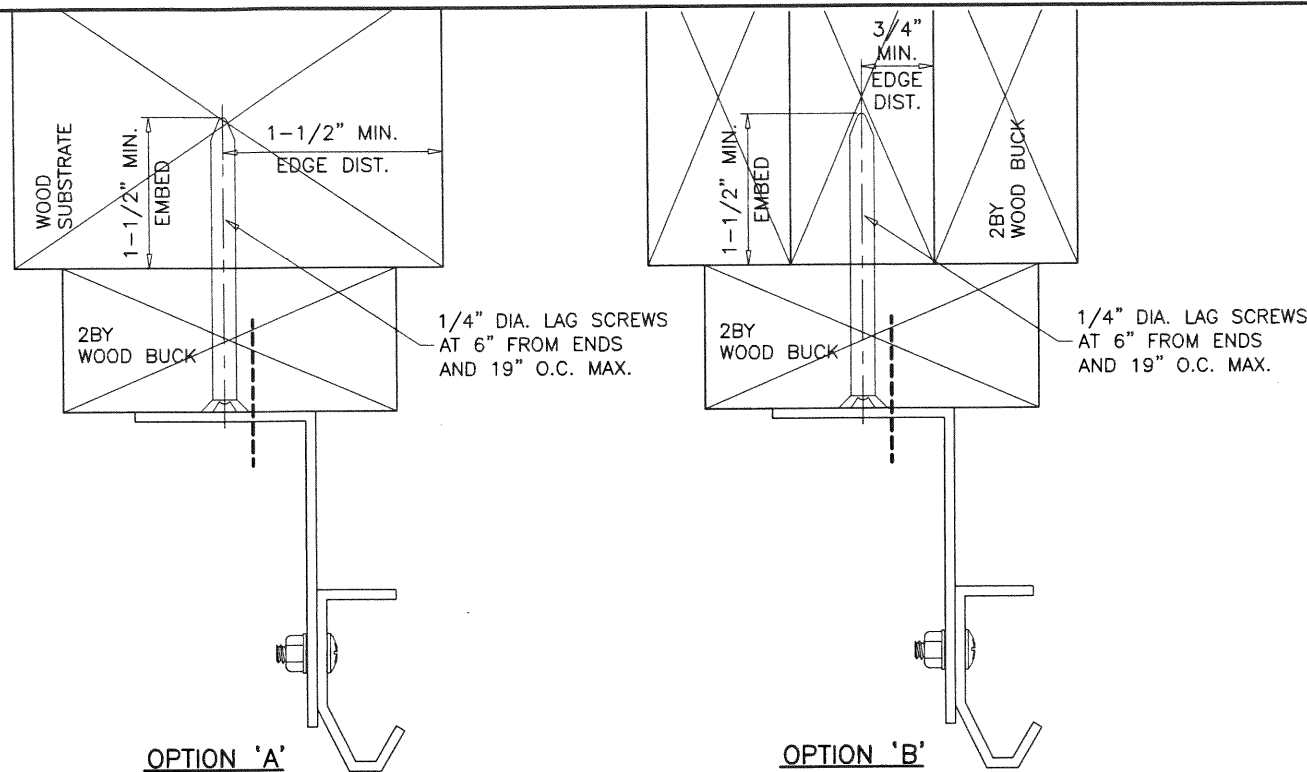
SECTIONAL GARAGE DOOR  
**DAB Door Company, Inc.**  
 12195 N.W. 98th Ave.  
 Hialeah Gardens, Fl. 33018  
 Tel: (800) 257-2016 Fax: (305) 362-9272

no	date	description
J	03.09.15	BOTTOM SEAL OPTION ADDED
K	03.21.16	INSULATION UPDATED
L	10.03.17	UPDATED TO 2017 FBC
M	07.30.20	UPDATED TO 2020 FBC

date: 02-01-01  
 scale: -  
 dr. by: TARIQ  
 chk. by:

drawing no.  
**01-09**  
 sheet 3 of 5





OPTION 'A'

OPTION 'B'

**WOOD BUCK CONNECTION TO WOOD SUBSTRATE (WOOD SPECIFIC GRAVITY SG=0.55 MIN.)**

THE INSTALLATION METHODS SHOWN ABOVE SHOWS 2X6 SYP WOOD BUCK ATTACHMENT TO WOOD STRUCTURES. IF THESE METHODS ARE FOLLOWED NO ADDITIONAL CALCULATIONS/DESIGN WILL BE REQUIRED FOR DESIGN OF GARAGE DOOR ANCHORAGE. FOR DOOR REPLACEMENT APPLICATIONS WITH NO ENGINEER OF RECORD, INSTALLATION MAY BE VERIFIED AND APPROVED BY THE BUILDING OFFICIAL UPON INSPECTION.

**WOOD BUCK CONNECTION TO MASONRY**

PRESSURE TREATED 2X6 SYP WOOD JAMBS WHICH SHALL BE ANCHORED TO GROUDED REINFORCED MASONRY BLOCK WALL OR CONC. COLUMN WITH

1/4" ULTRACON+ BY 'DEWALT' WITH SPACING OF 16" O.C. INTO GROUT FILLED BLOCK WALL, WITH 2-1/4" MIN. EMBED 16" O.C. INTO 3000 PSI CONCRETE, WITH 1-3/4" MIN. EMBED 2-1/2" MIN. EDGE DISTANCE

1/4" TAPPER BY 'DEWALT' WITH SPACING OF 14" O.C. INTO GROUT FILLED BLOCK WALL, WITH 1-1/2" MIN. EMBED 16" O.C. INTO 3000 PSI CONCRETE, WITH 1-3/4" MIN. EMBED 3" MIN. EDGE DISTANCE

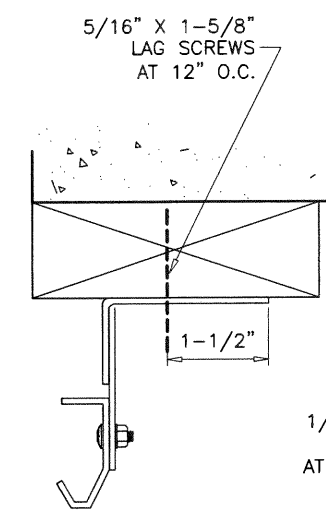
3/8" CONFLX BY 'ELCO' OR 3/8" LDT BY 'ITW' WITH SPACING OF 24" O.C. INTO 3000 PSI CONCRETE, WITH 2-1/2" MIN. EMBED 2" MIN. EDGE DISTANCE

3/8" HLC SLEEVE BY 'HILTI' WITH SPACING OF 8" O.C. INTO GROUT FILLED BLOCK WALL, WITH 1-1/4" MIN. EMBED, 4" MIN. EDGE DIST. 18" O.C. INTO 3000 PSI CONCRETE, WITH 1-1/4" MIN. EMBED AND 2-1/2" MIN. EDGE DISTANCE

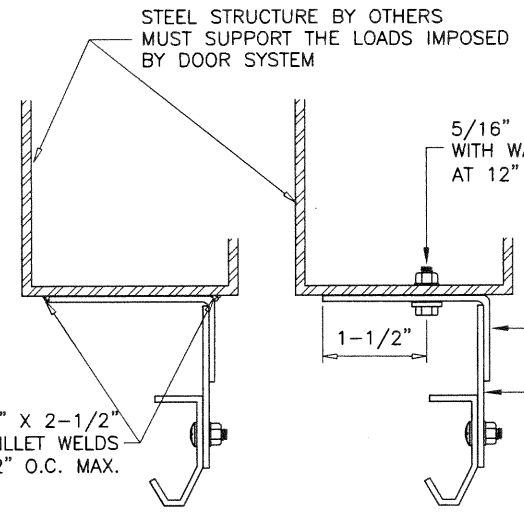
**PREPARATION OF JAMBS BY OTHERS**

FOR NEW CONSTRUCTION ENGINEER OF RECORD OR ARCHITECT TO VERIFY ADEQUACY OF SUPPORTING STRUCTURE TO SUPPORT LOADS IMPOSED BY DOOR SYSTEM. FOR DOOR REPLACEMENT IN RETROFIT BUILDINGS WITH NO ENGINEER OF RECORD, DOOR INSTALLATION MAY BE REVIEWED AND APPROVED BY BUILDING OFFICIAL UPON INSPECTION.

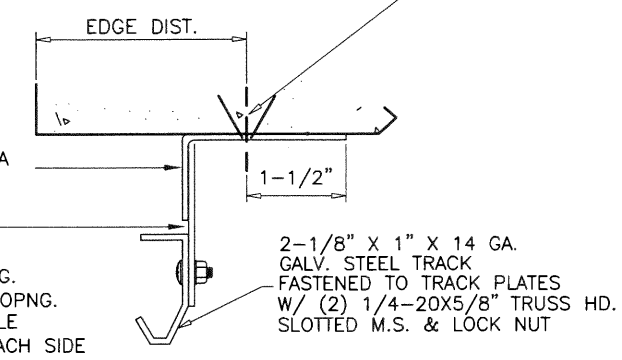
MAXIMUM EXTERIOR(+) LOAD PER JAMB = (9.33' X 50 PSF)/2 = 233.3 Lbs per Ft.  
MAXIMUM INTERIOR(-) LOAD PER JAMB = (9.33' X 60 PSF)/2 = 279.9 Lbs per Ft.



CONTINUOUS ANGLE TRACK TO WOOD BUCK



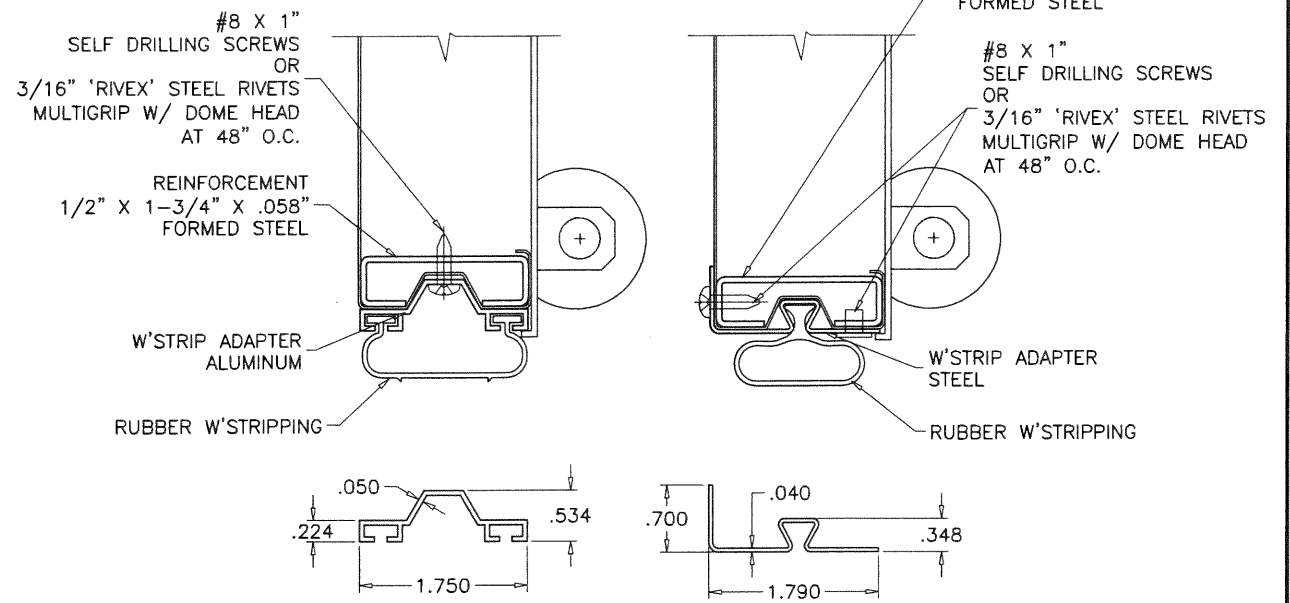
REVERSE TRACK TO STEEL



CONTINUOUS ANGLE TRACK TO CONCRETE AND FILLED BLOCK

STEEL STRUCTURE BY OTHERS MUST SUPPORT THE LOADS IMPOSED BY DOOR SYSTEM

**ALTERNATE TRACK INSTALLATION**

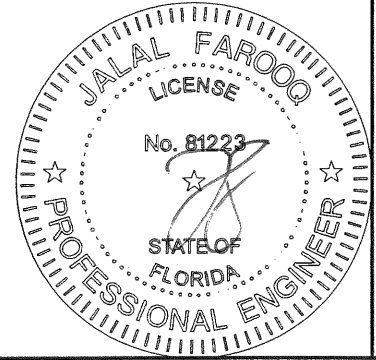


BOTTOM SEAL OPTIONS

ANCHOR SPACING				
ANCHORS	STRUCTURE	EMBED	SPACING	EDGE DIST.
3/8" HLC SLEEVE BY 'HILTI'	CONC.	1-1/4"	8"	1-5/8"
3/8" HLC SLEEVE BY 'HILTI'	FILLED BLOCK	1-1/4"	8"	4"
3/8" DYNABOLT BY 'ITW'	CONC.	1-1/2"	8"	2"
3/8" DYNABOLT BY 'ITW'	FILLED BLOCK	1-1/2"	8"	2-1/4"
3/8" POWER-BOLT BY 'DEWALT'	CONC.	2"	8"	1-7/8"
3/8" SLEEVE-ALL BY 'SIMPSONS'	CONC.	1-1/2"	8"	1-7/8"

CONCRETE f'c = 3000 PSI MIN.  
C-90 GROUT FILLED BLOCK f'm = 2000 PSI MIN.

**PRODUCT REVISED**  
as complying with the Florida Building Code  
NOA-No. 20-0901.19  
Expiration Date 08/09/2021  
By *[Signature]*  
Miami-Dade Product Control

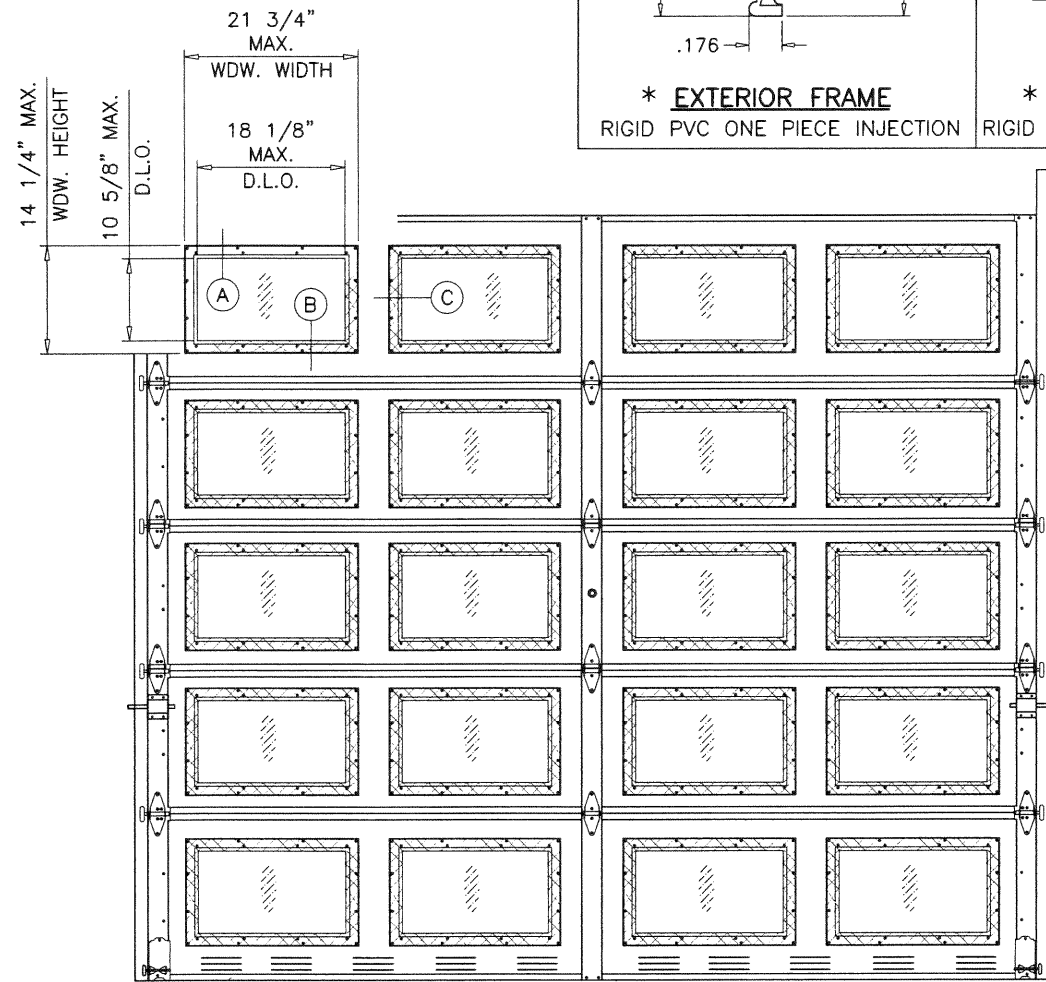
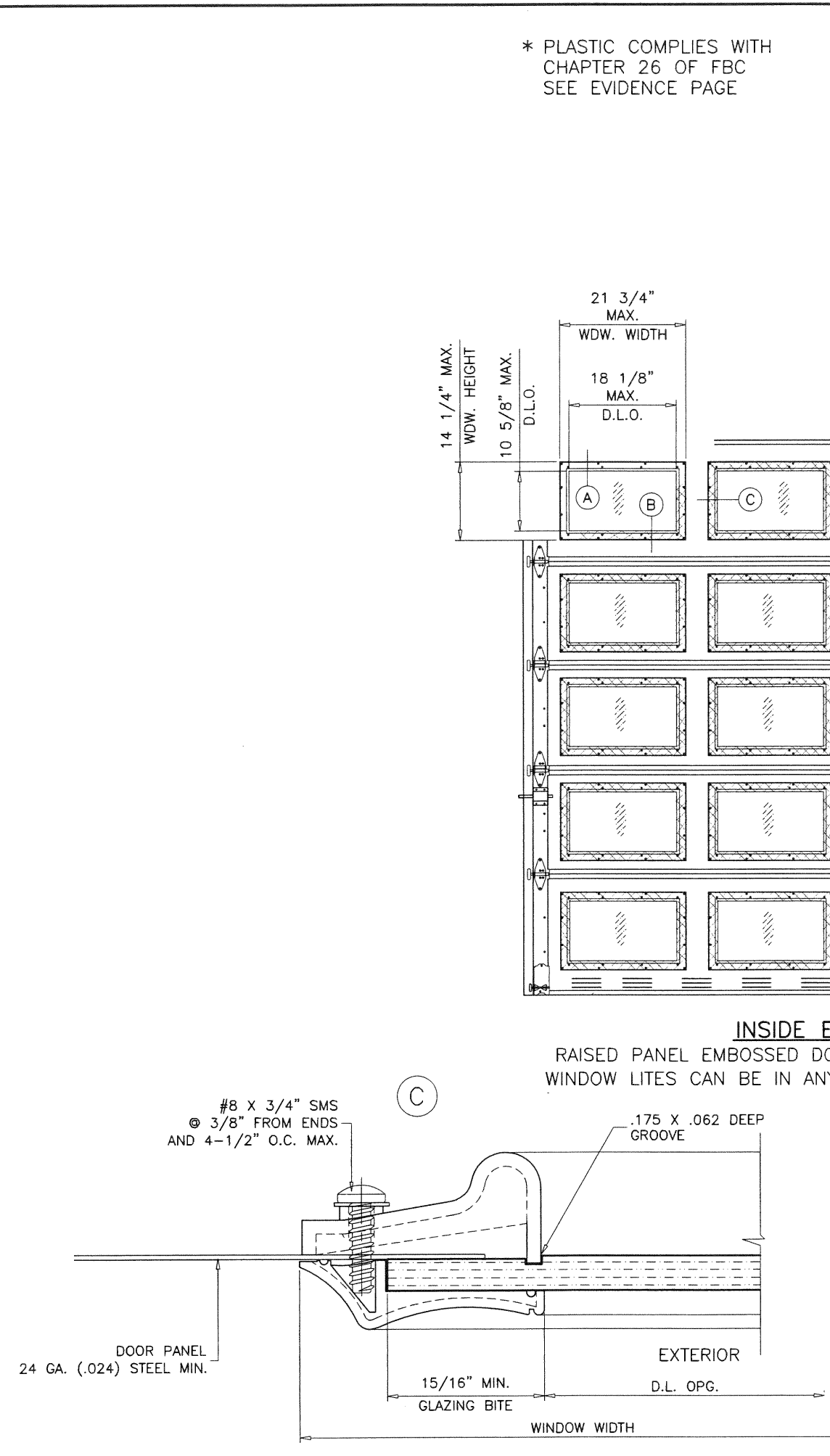
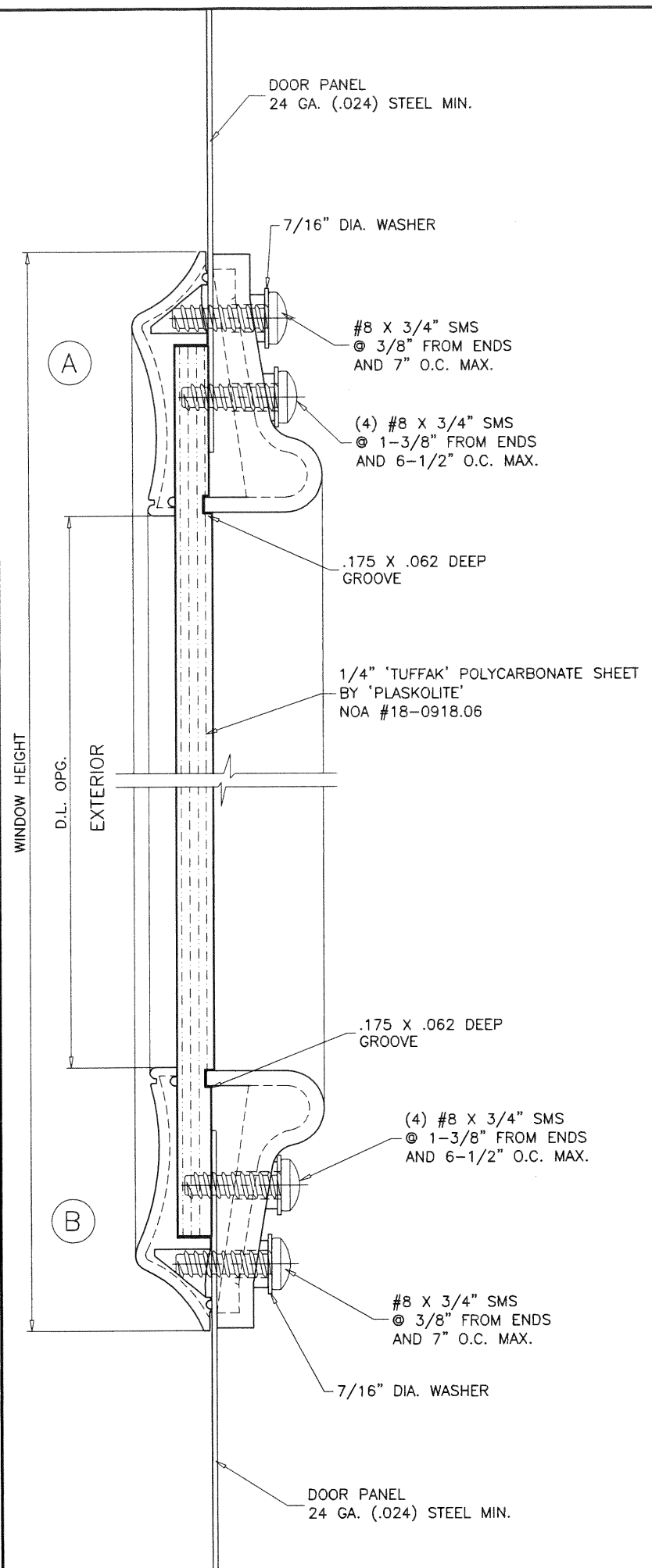


**AL-FAROOQ CORPORATION**  
ENGINEERS & PRODUCT DEVELOPMENT  
9360 SUNSET DRIVE, SUITE 220  
MIAMI, FLORIDA 33173  
TEL. (305) 264-8100 FAX. (305) 262-6978

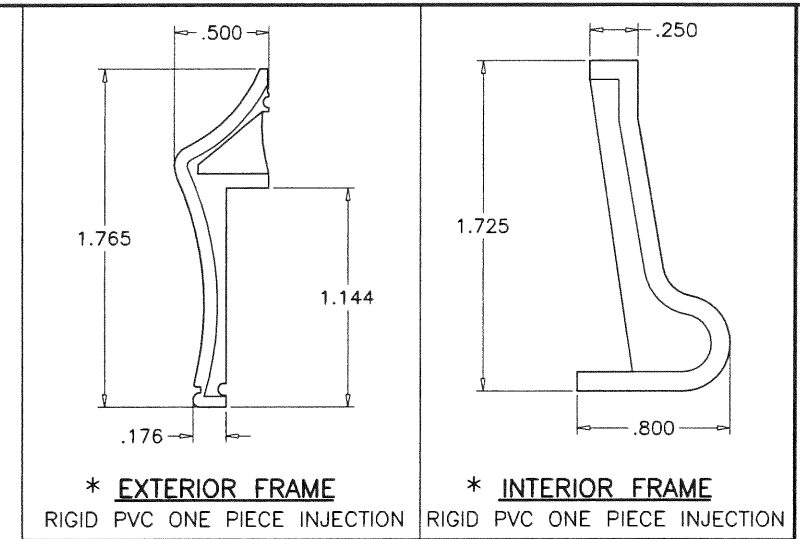
SECTIONAL GARAGE DOOR  
**DAB Door Company, Inc.**  
12195 N.W. 98th Ave.  
Hialeah Gardens, Fl. 33018  
Tel: (800) 257-2016 Fax: (305) 362-9272

no.	date	by	description
J	03.09.15		BOTTOM SEAL OPTION ADDED
K	03.21.16		NO CHANGE THIS SHEET
L	10.03.17		UPDATED TO 2017 FBC
M	07.30.20		UPDATED TO 2020 FBC

date: 02-01-01  
scale: -  
dr. by: TARIQ  
chk. by:  
drawing no. 01-09  
sheet 4 of 5

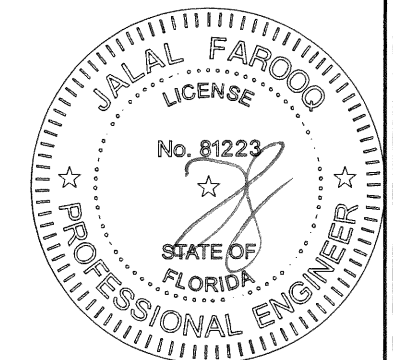


**INSIDE ELEVATION**  
RAISED PANEL EMBOSSED DOOR WITH OPTIONAL WINDOWS  
WINDOW LITES CAN BE IN ANY LOCATION IN DOOR SECTION



**PRODUCT REVISED**  
as complying with the Florida  
Building Code  
NOA-No. 20-0901.19  
Expiration Date 08/09/2021  
By *[Signature]*  
Miami-Dade Product Control

NOV 17 2020



**af c**  
**AL-FAROOQ CORPORATION**  
ENGINEERS & PRODUCT DEVELOPMENT  
9360 SUNSET DRIVE, SUITE 220  
MIAMI, FLORIDA 33173 (C.A.N. 3538)  
TEL. (305) 262-6978  
FAX. (305) 262-6978  
GARAGE\01-09DAB

SECTIONAL GARAGE DOOR  
**DAB Door Company, Inc.**  
12195 N.W. 98th Ave.  
Hialeah Gardens, FL 33018  
Tel: (800) 257-2016 Fax: (305) 362-9272

Revisions:

no	date	description
J	03.09.15	NO CHANGE THIS SHEET
K	03.21.16	LEXAN UPDATED
L	10.03.17	UPDATED TO 2017 FBC
M	07.30.20	UPDATED TO 2020 FBC

date: 02-01-01  
scale: -  
dr. by: TARIQ  
chk. by:

drawing no.  
**01-09**  
sheet 5 of 5