



**BUILDING CODE COMPLIANCE OFFICE (BCCO)  
PRODUCT CONTROL DIVISION**

**MIAMI-DADE COUNTY, FLORIDA  
METRO-DADE FLAGLER BUILDING  
140 WEST FLAGLER STREET, SUITE 1603  
MIAMI, FLORIDA 33130-1563  
(305) 375-2901 FAX (305) 375-2908**

**NOTICE OF ACCEPTANCE (NOA)**

---

**DAB Doors, Inc.  
12195 NW 98 Avenue  
Hialeah Gardens, FL 33018**

**SCOPE:** This NOA is being issued under the applicable rules and regulations governing the use of construction materials. The documentation submitted has been reviewed by Miami-Dade County Product Control Division and accepted by the Board of Rules and Appeals (BORA) to be used in Miami Dade County and other areas where allowed by the Authority Having Jurisdiction (AHJ).

This NOA shall not be valid after the expiration date stated below. The Miami-Dade County Product Control Division (In Miami Dade County) and/or the AHJ (in areas other than Miami Dade County) reserve the right to have this product or material tested for quality assurance purposes. If this product or material fails to perform in the accepted manner, the manufacturer will incur the expense of such testing and the AHJ may immediately revoke, modify, or suspend the use of such product or material within their jurisdiction. BORA reserves the right to revoke this acceptance, if it is determined by Miami-Dade County Product Control Division that this product or material fails to meet the requirements of the applicable building code.

This product is approved as described herein, and has been designed to comply with the Florida Building Code including the High Velocity Hurricane Zone.

**DESCRIPTION: 14' Rolling Steel Door**

**APPROVAL DOCUMENT:** Drawing No. 97-30, titled "Rolling Type Garage Door", sheets 1 and 2, prepared by Al-Farooq Corporation, signed and sealed by H. Farooq, P.E., dated 7/30/97, with last revision on 10/29/08, bearing the Miami-Dade County Product Control renewal and revision stamps with the Notice of Acceptance number and expiration date by the Miami-Dade County Product Control Division.

**MISSILE IMPACT RATING: Large and Small Missile Impact**

**LABELING:** Each unit shall bear a permanent label with the manufacturer's name or logo, city, state and following statement: "Miami-Dade County Product Control Approved", unless otherwise noted herein.

**RENEWAL** of this NOA shall be considered after a renewal application has been filed and there has been no change in the applicable building code negatively affecting the performance of this product.

**TERMINATION** of this NOA will occur after the expiration date or if there has been a revision or change in the materials, use, and/or manufacture of the product or process. Misuse of this NOA as an endorsement of any product, for sales, advertising or any other purposes shall automatically terminate this NOA. Failure to comply with any section of this NOA shall be cause for termination and removal of NOA.

**ADVERTISEMENT:** The NOA number preceded by the words Miami-Dade County, Florida, and followed by the expiration date may be displayed in advertising literature. If any portion of the NOA is displayed, then it shall be done in its entirety.

**INSPECTION:** A copy of this entire NOA shall be provided to the user by the manufacturer or its distributors and shall be available for inspection at the job site at the request of the Building Official.

This NOA **renews and revises** NOA # **04-0611.03** and consists of this page 1, evidence page E1, as well as approval document mentioned above.

The submitted documentation was reviewed by **Mohammed Iqbal Shaikh, P.E.**



*Mu*  
11/16/08

**NOA No 08-1106.06  
Expiration Date: January 22, 2010  
Approval Date: December 11, 2008  
Page 1**

**DAB Doors, Inc.**

**NOTICE OF ACCEPTANCE: EVIDENCE SUBMITTED**

**A. DRAWINGS**

1. Drawing No. 97-30, titled "Rolling Type Garage Door", sheets 1 and 2, prepared by Al-Farooq Corporation, signed and sealed by H. Farooq ,P.E.,dated 07/30/97, with last revision on 10/29/08.

**B. TESTS**

1. Test report on Large Missile Impact Test per PA 201 and Cyclic Wind Pressure Test per PA 203 on a "14' x 8' Roll-Up Garage Door", prepared by Hurricane Engineering & Testing, Inc., report No. Heti 97-616, dated 04/21/97 revised on 08/04/97, signed and sealed by H. M. Medina, PE.
2. Test report on Uniform Static Air Pressure Test per PA 202 and Forced Entry Resistance Test on a "14' x 8" Roll-Up Garage Door", prepared by Hurricane Engineering & Testing Inc., report No. Heti 97-614, dated 04/18/97, revised on 09/04/97, signed and sealed by H. M. Medina, PE.

**C. CALCULATIONS**

1. Calculations for dated 10/17/08 for DAB Doors, Inc. prepared by Al-Farooq Corporation, sheets DC1-DC-2, SL1 to SL3, G1toG4 & C1to C20, signed and sealed by H. Farooq, PE.

**D. QUALITY ASSURANCE**

1. Building code Compliance Office.

**E. STATEMENTS**

1. Code compliance letter prepared by Al-Farooq Corporation on 10/17/08 signed and sealed by H. Farooq, PE.
2. No Financial letter prepared by Al-Farooq Corporation on 10/17/08 signed and sealed by H. Farooq, PE.
3. A letter prepared by Al-Farooq Corporation on 10/17/08 signed and sealed by H. Farooq, PE. stating that tests are being performed and results will be submitted at a letter date.

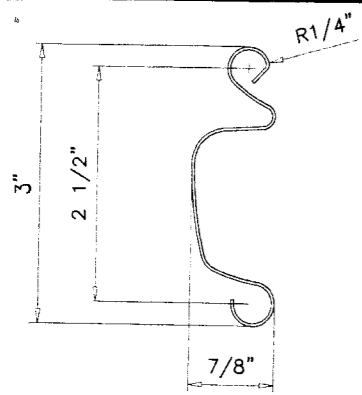
**F. MATERIAL CERTIFICATIONS**

1. Tensile Test report per ASTM E8 ,prepared by Hurricane Engineering and Testing Inc. signed and sealed on 08/20/07 by Hector Medina, P.E.



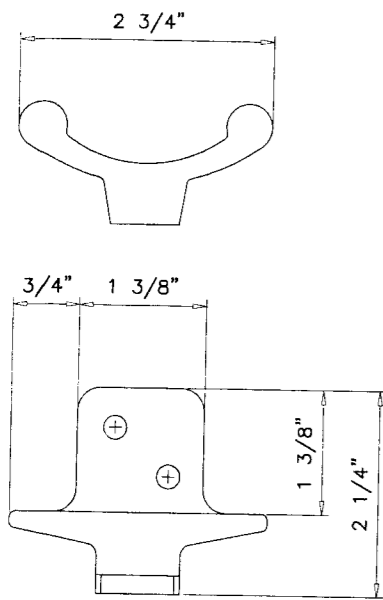
---

**Mohammed Iqbal Shaikh, P.E.**  
**Senior Building Code Compliance Specialist**  
**NOA No 08-110606**  
**Expiration Date: January 22, 2010**  
**Approval Date: December 11, 2008**



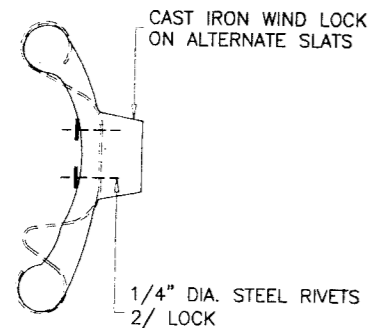
**SLAT**

20 GA. COLD FORMED STEEL (ASTM A446)  
MIN. YIELD STRENGTH OF 50000 PSI  
GALVANIZED ACCORDING TO ASTM A-525  
WITH A COATING DESIGNATION OF G-90  
EXTERIOR AND INTERIOR

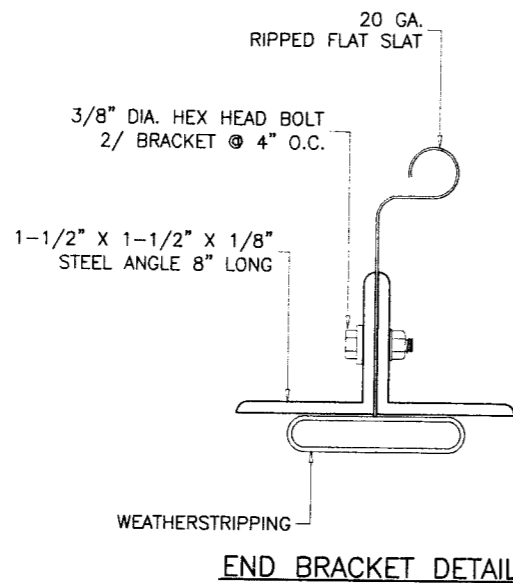


**WIND LOCK**

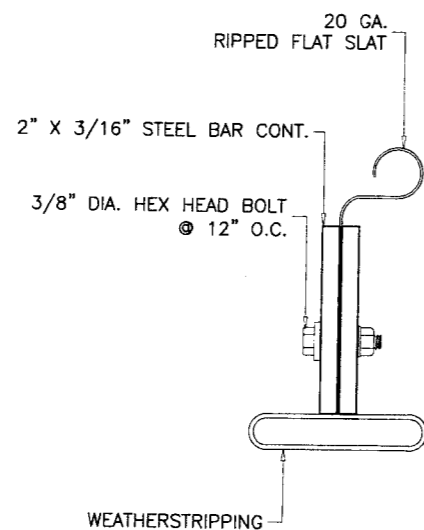
MALLEABLE IRON  
WITH A GALVANIZED FINISH



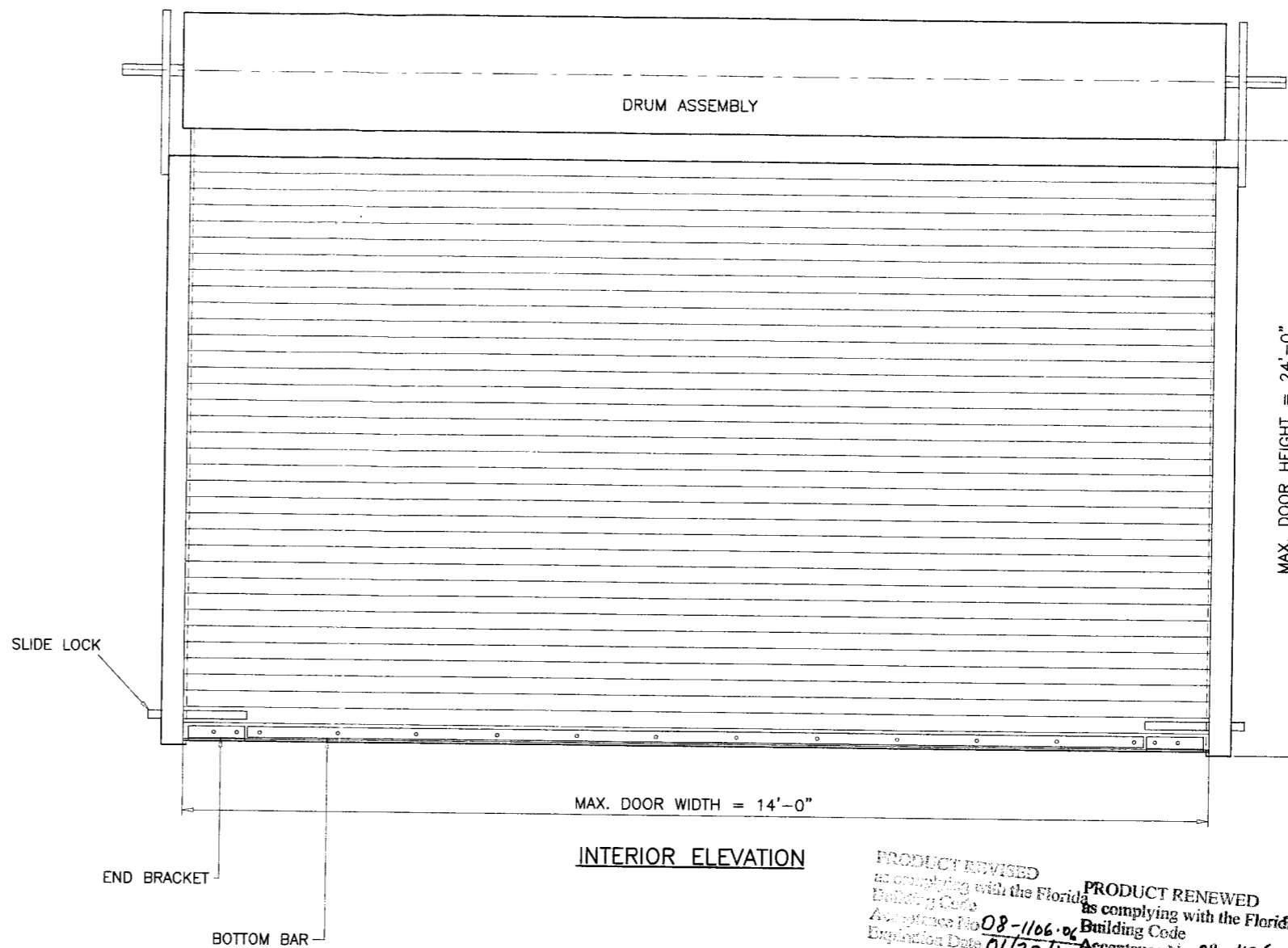
**WIND LOCK DETAIL**



**END BRACKET DETAIL**



**BOTTOM BAR DETAIL**



**INTERIOR ELEVATION**

PRODUCT REVISED  
as complying with the Florida  
Building Code  
Acceptance No 08-1106-06  
Expiration Date 01/22/10

PRODUCT RENEWED  
as complying with the Florida  
Building Code  
Acceptance No 08-1106-06  
Expiration Date 01/22/10

By *M. Khalil*  
Miami Dade Product Control  
Division

By *M. Khalil*  
Miami Dade Product Control  
Division

MAXIMUM DESIGN LOAD RATING = + 60.0 PSF  
(FOR SIZES SHOWN OR SMALLER) - 60.0 PSF

THIS PRODUCT IS RATED FOR LARGE MISSILE IMPACT

**GENERAL NOTES**

1. THIS PRODUCT HAS BEEN DESIGNED AND TESTED TO COMPLY WITH THE REQUIREMENTS OF THE FLORIDA BUILDING CODE 2004/2007 EDITION INCLUDING HIGH VELOCITY HURRICANE ZONE (HVHZ).
2. ANCHORS SHALL BE AS LISTED, SPACED AS SHOWN ON DETAILS. ANCHOR EMBEDMENT TO BASE MATERIAL SHALL BE BEYOND WALL DRESSING OR STUCCO.
3. GUIDE AND WALL ANGLES SHALL CONFORM TO ASTM A-36.
4. ALL BOLTS, NUTS AND WASHERS SHALL BE ZINC PLATED CARBON STEEL.
5. ANCHORING OR LOADING CONDITIONS OTHER THAN THOSE SHOWN IN THESE DETAILS ARE NOT PART OF THIS APPROVAL.
6. SLIDE BOLT (1/4" THICK LATCH) IS INSTALLED AT EACH END BOTTOM, AND SHALL BE ENGAGED DURING HURRICANE WINDS.
7. ALL WELDING TO CONFORM TO AWS LATEST REGULATIONS AND S.F.B.C. USE E70XX ELECTRODES AND 3/16" FILLET SIZE.

Engr. DR. HUMAYOUN FAPOOQ  
STRUCTURES  
FLA. PE. # 16557  
C.A.N. 3538

OCT 30 2008

**af c**  
**AL-FAROOQ CORPORATION**  
ENGINEERS & PRODUCT DEVELOPMENT  
1235 S.W. 87 AVE  
MIAMI, FLORIDA 33174  
TEL. (305) 264-8100 FAX. (305) 262-6978  
GARAGE/97-30DAB

ROLLING TYPE GARAGE DOOR  
**DAB DOORS INC.**  
12195 N.W. 98 TH. AVE.  
HALEAH GARDENS, FL. 33018  
TEL. (305) 556 - 6624

no	date	by	description
C	11-18-97	H	GUIDE FORCES TABLE REV.
D	12-19-97	H	GENERAL REVISION
E	10-24-00	H	REV. PER BCCO COMMENTS
F	07-26-02	H	BLK ANCH. AD. IMPACT REV.
G	10-29-08	H	UPDATED FOR 2007 FBC

date: 07-30-97  
scale: 1/2" = 1'-0"  
dr. by: HAMID  
chk. by:

drawing no.  
**97-30**

sheet 1 of 2